

# DATA SHEET

## Electric Valve Actuators

Model E14X & E16X

### Designed specifically to work with APEX Valve Controllers and Unibody Apparatus Valves

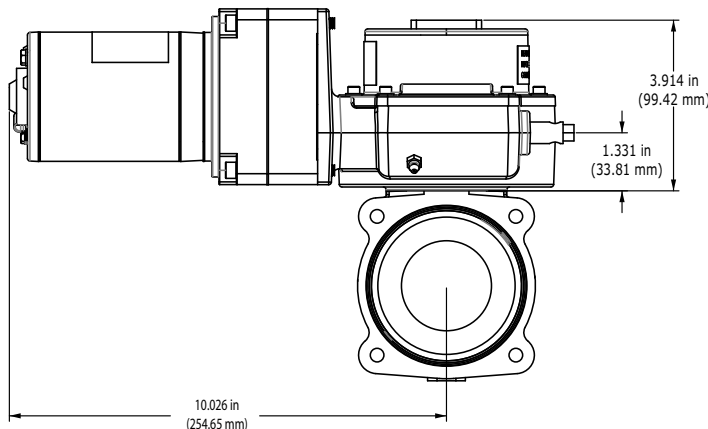
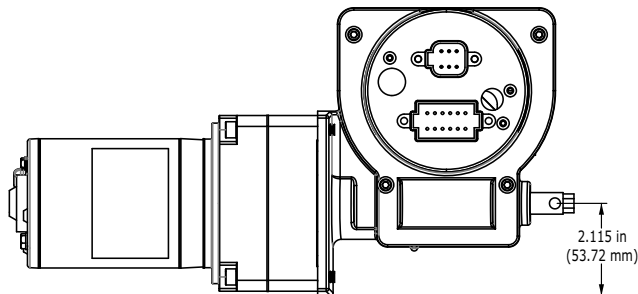
The E14X and E16X\* are complete, self-contained electric valve actuators for use with Elkhart Brass Unibody Valve bodies from 1.5" to 8". The CAN enabled E14X and E16X actuators distinguish themselves from previous electric actuators by their universal application. No determination is required based on which Unibody valve is being used or if flow and/or pressure sensors will be utilized.

\*E16X is designed to work with EB6D valve.

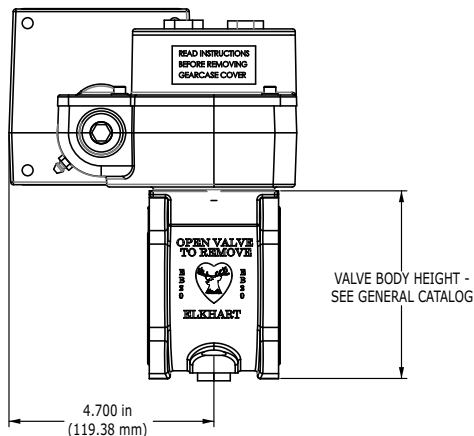


### Features

- 12-24 VDC supply voltage
- Sealed to NEMA 4
- 3" Extreme torque motor
- Compatible with CAN J1939 communication interface
- Absolute valve position sensor
- Direct access to valve position
- Fail safe mode
- Auto calibrate
- Valve position preset command
- Compatible with EXM enabled monitors and monitor controls
- Compatible with APEX 100, APEX 200, APEX 300 and APEX-S controllers



Overall dimensions of E14X and E16X actuators are identical. The actuator is depicted mounted to a 2.5" Unibody series ball valve body - for complete valve body dimensions and options see Unibody general catalog pages.



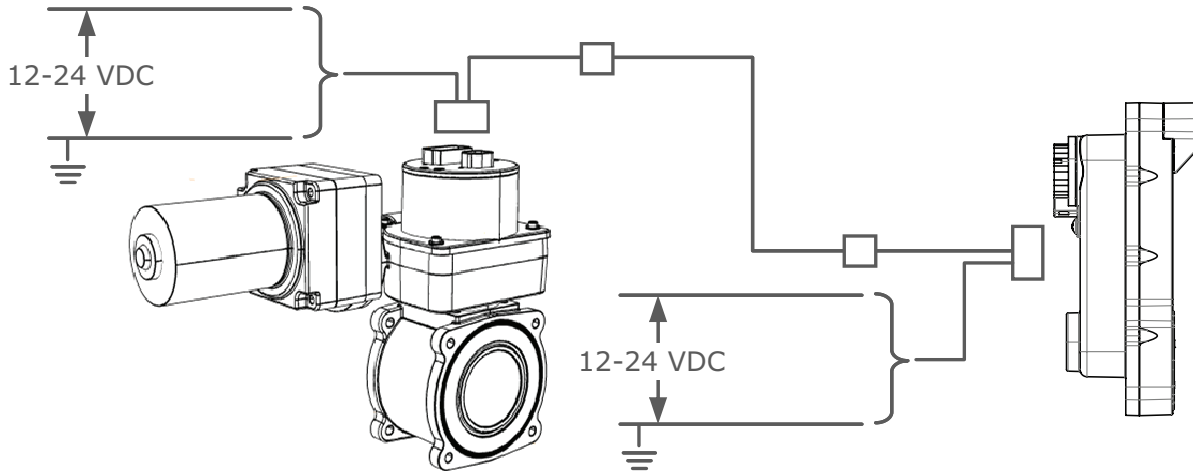
1-574-295-8330  
www.elkhartbrass.com

**ELKHART BRASS**  
FIRE FIGHTING EQUIPMENT A SAFE FLEET BRAND

# DATA SHEET

## Electric Valve Actuators

Model E14X & E16X



Example schematic depicting E14X or E16X actuated valve controlled via a APEX 100, APEX 200 or APEX 300 controller. See Unibody Valves general catalog pages for APEX controllers and options.

### Specifications

| Valve Controller – E14X/E16X |                                  |
|------------------------------|----------------------------------|
| Input power                  | 12 or 24VDC Compatible           |
| Electrical Load              | 10 AMPS                          |
| Fuse Rating                  | 30 AMPS (12V) & 15 AMPS (24V)    |
| Operating Temperature Range  | -40°F to +185°F (-40°C to +85°C) |
| Environmental Rating         | NEMA 4                           |

### Ordering Information

The E14X actuators (E16X for EB6D butterfly valve) are ordered pre-assembled to a Unibody series valve body. See the Unibody Valve section of the general catalog or list price guide for all Unibody Series components as well as instructions for configuring a complete Unibody Valve model number with actuator, plumbing inlet adapter, and plumbing outlet adapter.

Pressure and flow sensors used with the E14X/E16X actuators along with sensor harnesses, are ordered separately from the valve assembly. The pressure and flow sensor harnesses are plugged directly into the top of the valve actuator, eliminating the need to run signal harnesses all the way back to the APEX controller located on the pump panel.

Pressure and flow sensors can be ordered with harnesses in various length, depending on the distance from the sensor to the valve actuator.