

DATA SHEET

Magnum™ EXM2 Monitor

Model 7600X2

Combining the features and durability of the EXM2 with ground breaking dual 6" waterways to deliver extreme flow.

With its large 6" inlet and unique waterway, the 7600X2 EXM2 is capable of providing 5000 GPM (20,000 LPM) flow where you need it most. Designing the 7600X2 to be a part of the EXM2 family ensures the same level of quality and durability the industry has come to know. In addition, it has the same programmable EXM2 features such as 3D travel limits, keep-out zones, travel speeds, stow position, and oscillation.

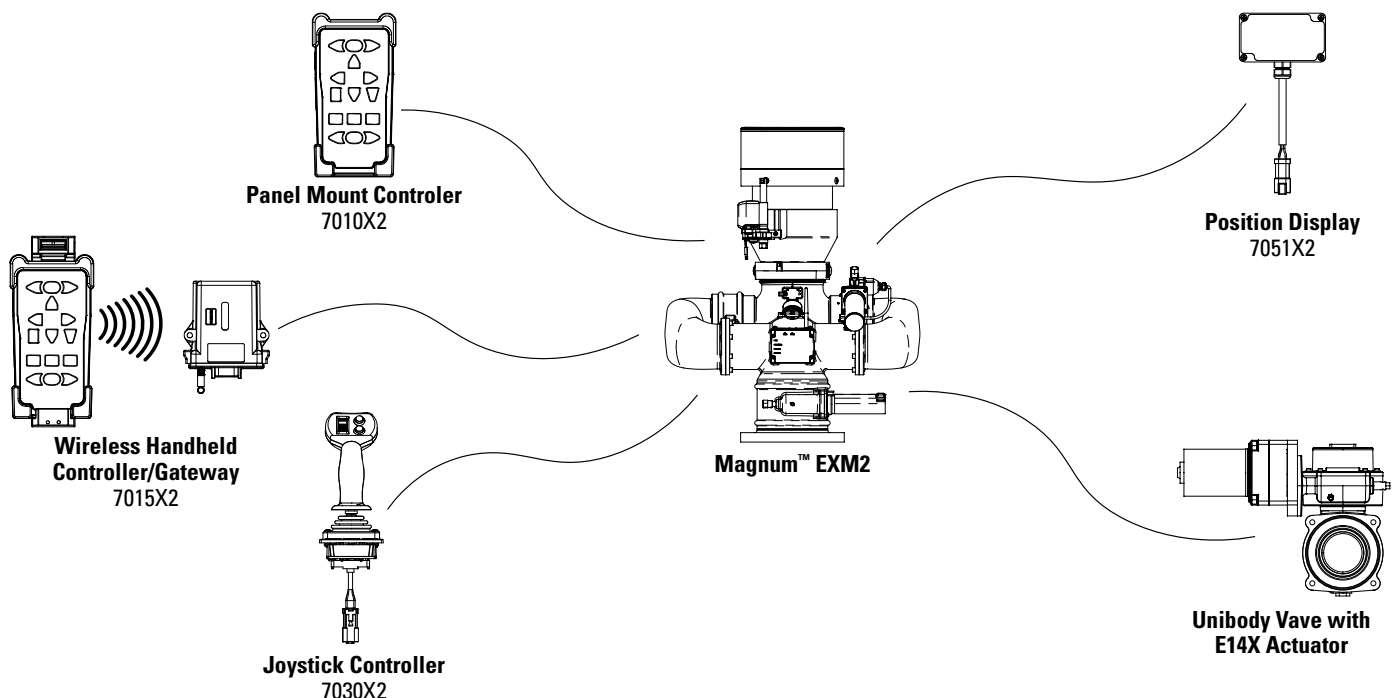


Mechanical Features

- 5000 GPM (20,000 LPM) flow
- Motors and control components sealed to NEMA 4
- Axially aligned thrust bearings for extreme durability
- Absolute position sensors for precise control
- Manual override control in event of power failure
- Teflon impregnated, hard anodized aluminum alloy waterway
- Extreme torque motors

Control Features

- 12 or 24VDC Compatible
- Wired or wireless control options
- CANBUS J1939 compatible
- Programmable STOW, DEPLOY and OSCILLATION
- Programmable travel limits and keep out zones
- Programmable travel speeds
- Integrated water valve control



1-574-295-8330
www.elkhartbrass.com

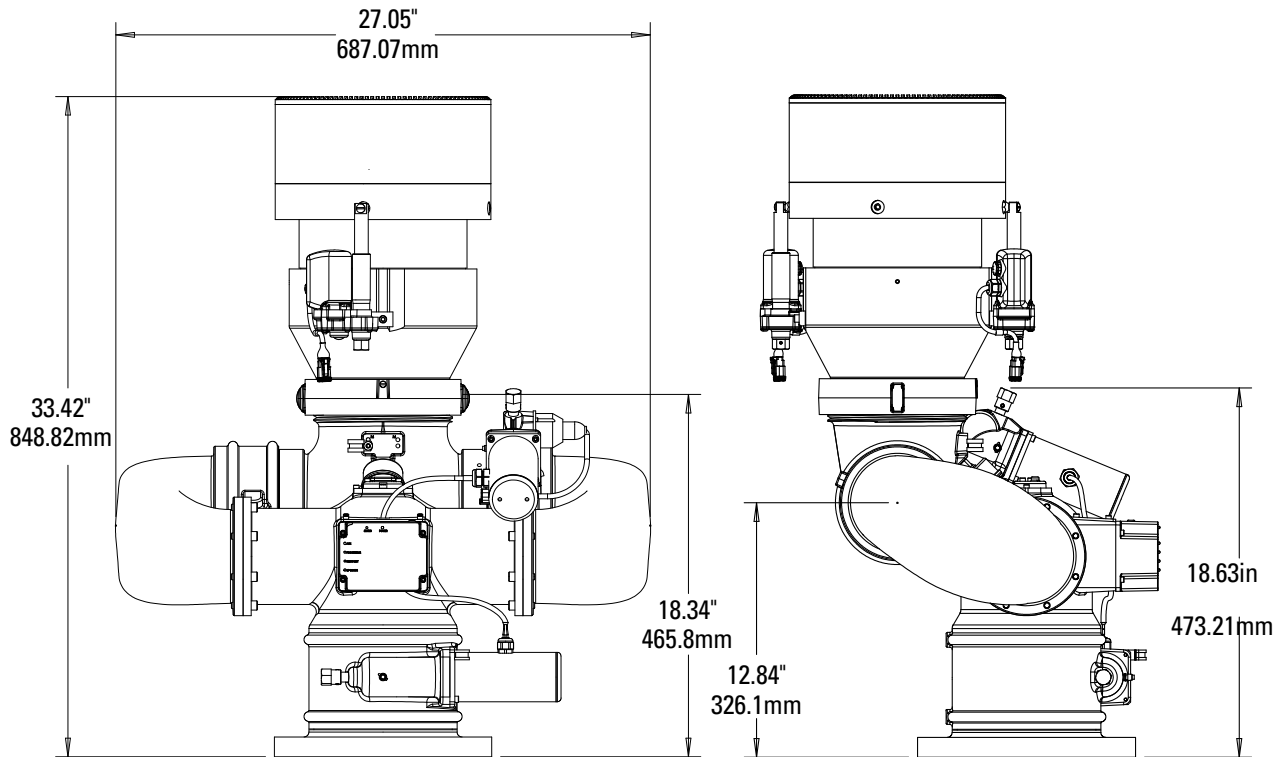
ELKHART BRASS
FIRE FIGHTING EQUIPMENT A SAFE FLEET BRAND

DATA SHEET

Magnum EXM2 Monitor

Specifications

Model:	7600X2
Max Flow:	5000 GPM (20,000 LPM)
Max Pressure:	200 PSI (13.8 bar)
Inlet:	6" 150# Flange
Outlet:	6" NHT
Travel:	Vertical: -60° to +90° (150°) Horizontal: L175 to R175 (350°)
Voltage:	12 or 24 VDC compatible
Control:	CANbus J1939
Communication:	915 MHz RF - FCC & IC 868 MHz RF - CE
Material/Finish:	Teflon impregnated, hard anodized Elk-O-Lite®
Stow Height:	18.6" (472mm)
Weight:	115 lbs (52 kg) including nozzle

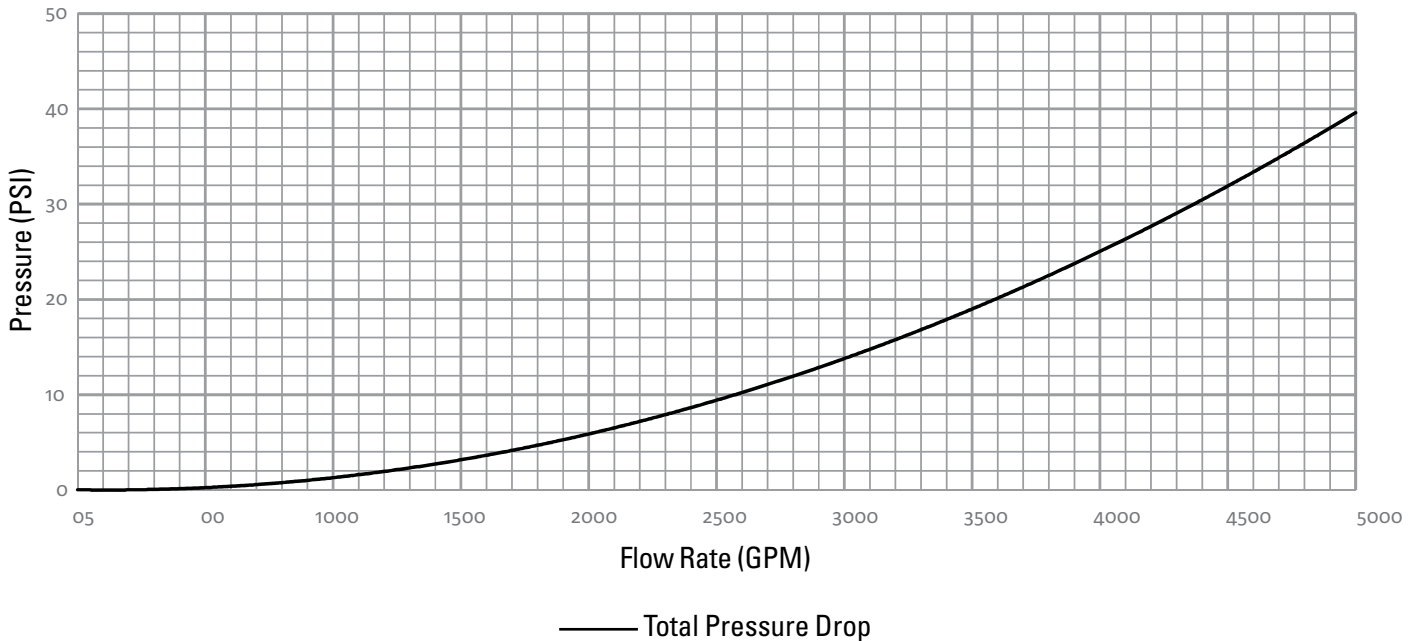


DATA SHEET

Magnum EXM2 Monitor

7600X2 EXM2 Monitor Pressure Drop

6.0" Inlet and 6.0" Outlet

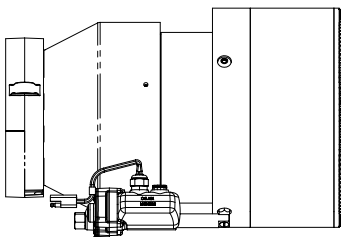


Magnum Master Stream Nozzles

The CM Series nozzles were specifically designed for high flow applications with the Magnum monitor. They are constant flow, combination nozzles – straight stream, narrow fog or wide fog. They are flow-efficient with fully machined waterways and integral stream shapers for excellent stream quality and reach. They are constructed of hard-anodized, lightweight Elk-O-Lite®, and they are electrically actuated with fully enclosed and sealed 12V DC motors.

Electric Nozzle Specifications

Model	Inlet	Pressure PSI (BAR)	Flow Range - GPM (LPM)
CM-3000E	6"	80 (5.6)	3000 (12,000)
CM-5000E	6"	100 (7)	5000 (20,000)
CM-3000EX	6"	130 (9)	3000 (12,000)



CM-5000E