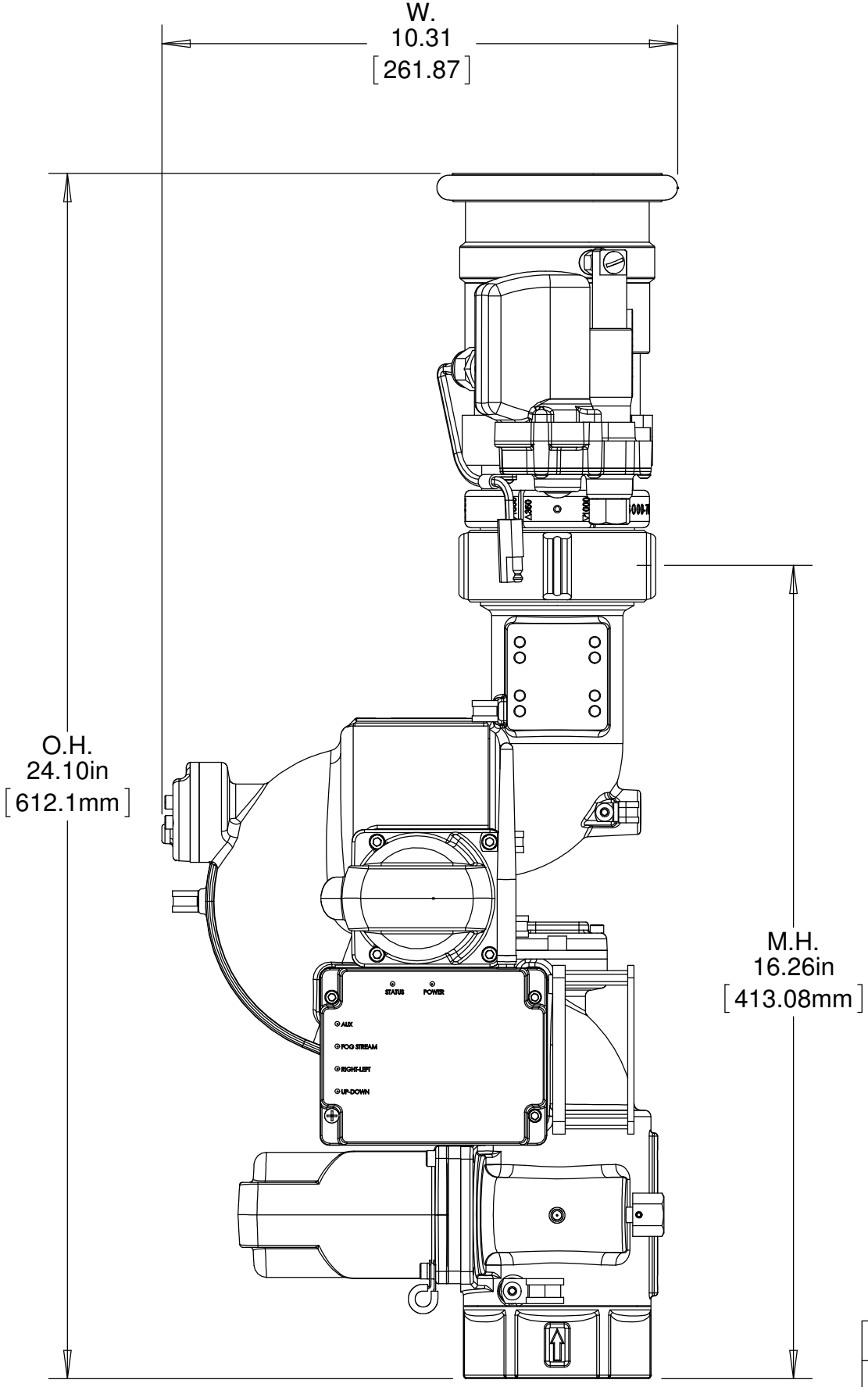


THIS DRAWING CONTAINS INFORMATION THAT IS PROPRIETARY TO ELKHART BRASS MFG CO., INC. AND MAY NOT BE USED TO PRODUCE ANY PARTS, ASSEMBLIES OR PRODUCTS DESCRIBED HEREIN WITHOUT EXPRESS WRITTEN PERMISSION

7101 SD (00007101SD) DIMENSIONAL  
PAGE 1 OF 6

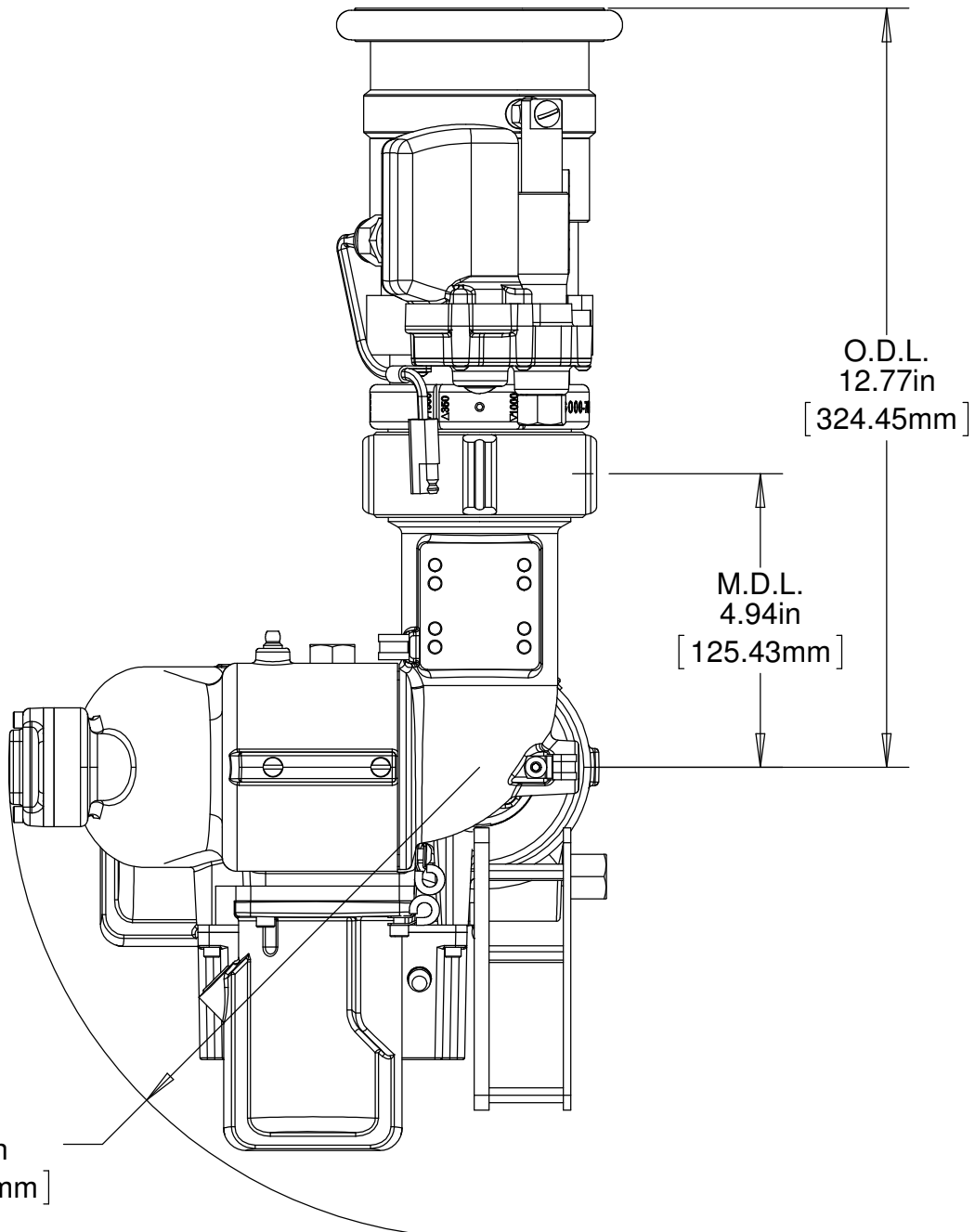
BASE DIMENSIONAL



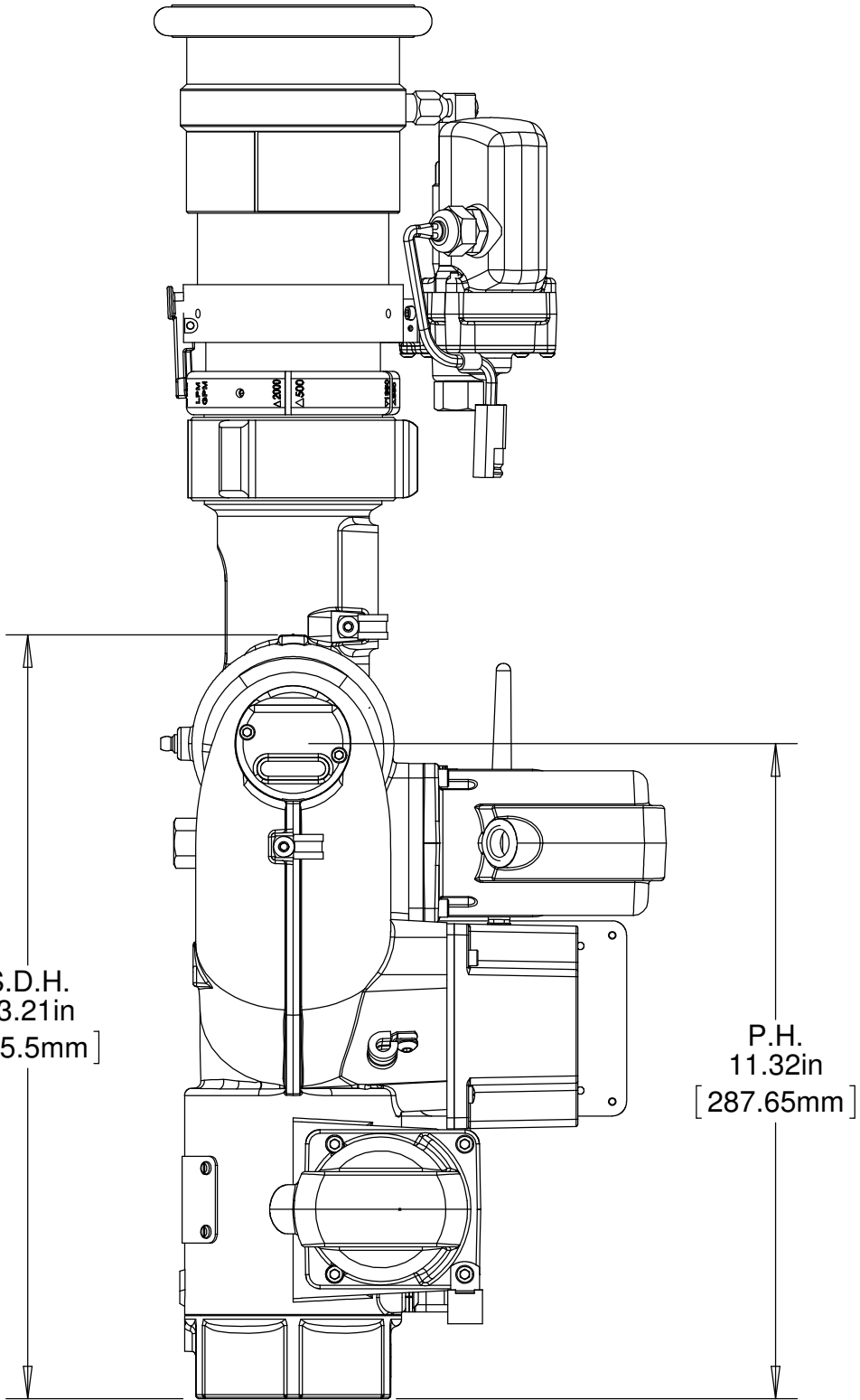
**ELKHART BRASS**  
Fire Fighting Equipment

THIS DRAWING CONTAINS INFORMATION THAT IS PROPRIETARY TO ELKHART BRASS MFG CO., INC. AND MAY NOT BE USED TO PRODUCE ANY PARTS, ASSEMBLIES OR PRODUCTS DESCRIBED HEREIN WITHOUT EXPRESS WRITTEN PERMISSION

7101 SD (00007101SD) DIMENSIONAL	BACK VIEW DIMENSIONAL
PAGE 2 OF 6	



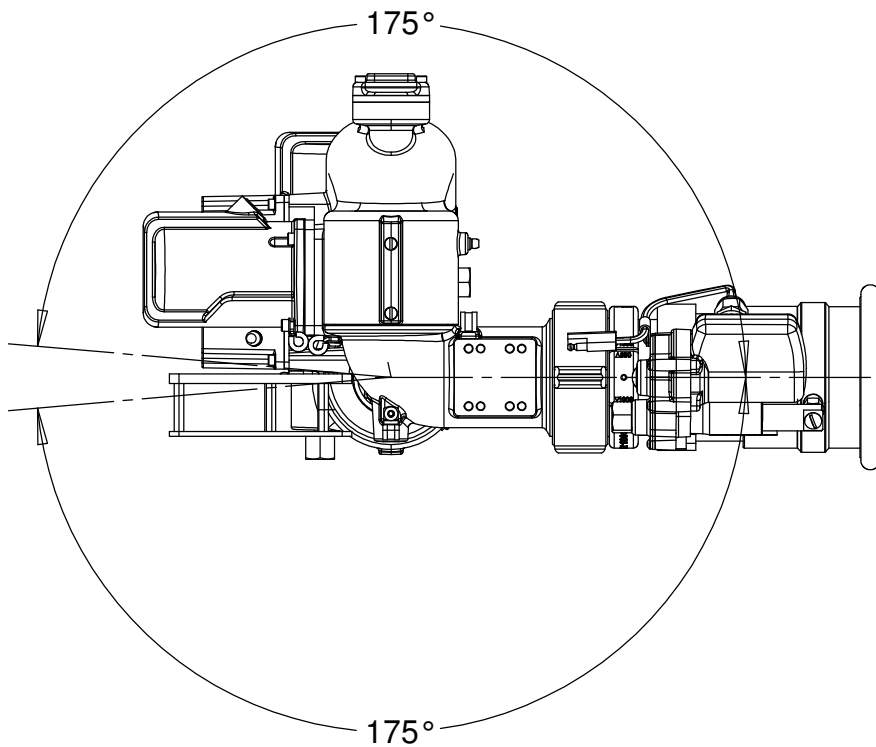
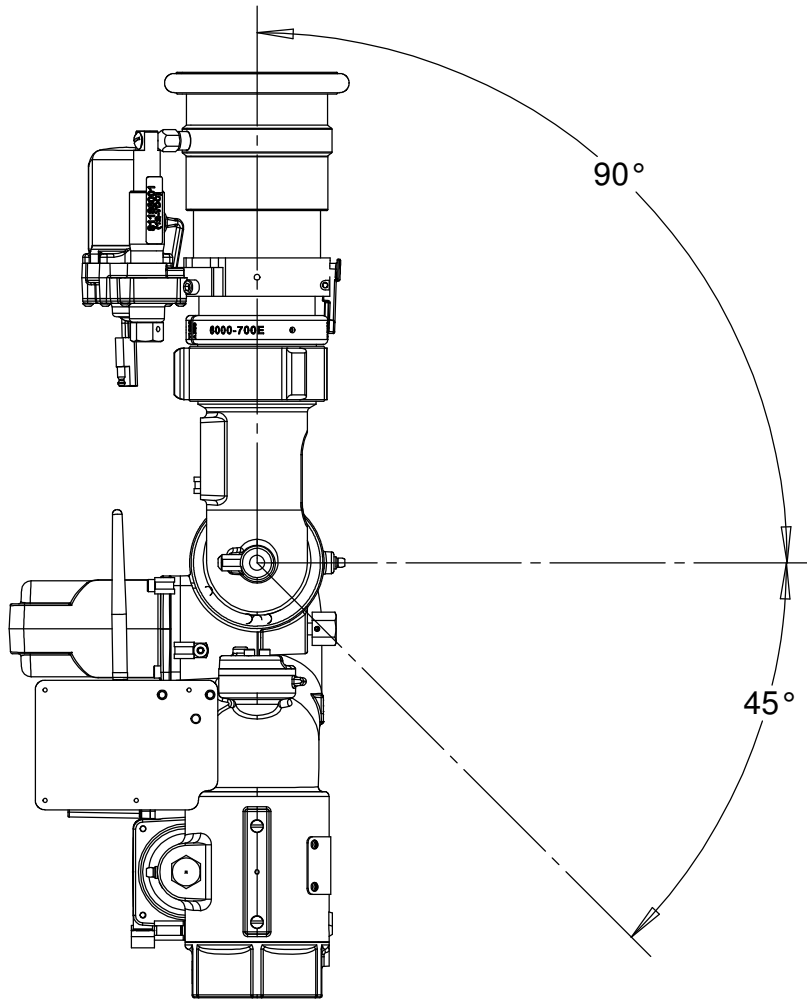
THIS DRAWING CONTAINS INFORMATION THAT IS  
 PROPRIETARY TO ELKHART BRASS MFG CO., INC.  
 AND MAY NOT BE USED TO PRODUCE ANY PARTS,  
 ASSEMBLIES OR PRODUCTS DESCRIBED HEREIN  
 WITHOUT EXPRESS WRITTEN PERMISSION



S.D.H.  
13.21in  
[335.5mm]

P.H.  
11.32in  
[287.65mm]

 <b>ELKHART BRASS</b> Fire Fighting Equipment	
<small>THIS DRAWING CONTAINS INFORMATION THAT IS PROPRIETARY TO ELKHART BRASS MFG CO., INC. AND MAY NOT BE USED TO PRODUCE ANY PARTS, ASSEMBLIES OR PRODUCTS DESCRIBED HEREIN WITHOUT EXPRESS WRITTEN PERMISSION</small>	
<small>7101 SD (00007101SD) DIMENSIONAL</small>	<small>SIDE VIEW DIMENSIONAL</small>
<small>PAGE 4 OF 6</small>	




 <b>ELKHART BRASS</b> Fire Fighting Equipment	
<small>THIS DRAWING CONTAINS INFORMATION THAT IS PROPRIETARY TO ELKHART BRASS MFG CO., INC. AND MAY NOT BE USED TO PRODUCE ANY PARTS, ASSEMBLIES OR PRODUCTS DESCRIBED HEREIN WITHOUT EXPRESS WRITTEN PERMISSION</small>	
<small>7101 SD (00007101SD) DIMENSIONAL</small> PAGE 5 OF 6	RANGE OF MOTION

## DIMENSIONAL ABBREVIATION KEY\*

<b>ABBREVIATION</b>	<b>DESCRIPTION</b>
D.L.	DISCHARGE LENGTH
H.H.	HANDLE HEIGHT
H.S.R.	HANDLE SWING RADIUS
M.D.L.	MONITOR DISCHARGE LENGTH
M.H.	MONITOR HEIGHT
O.D.L.	OVERALL DISCHARGE LENGTH
O.H.	OVERALL HEIGHT
O.L.	OVERALL LENGTH
P.H.	PIVOT HEIGHT
P.R.	PIVOT RADIUS
R.	RADIUS
S.D.H.	STOW DOWN HEIGHT
W.	WIDTH

**\*NOT ALL ABBREVIATIONS WILL BE USED ON EVERY DRAWING.**

 <b>ELKHART BRASS</b> Fire Fighting Equipment	
THIS DRAWING CONTAINS INFORMATION THAT IS PROPRIETARY TO ELKHART BRASS MFG CO., INC. AND MAY NOT BE USED TO PRODUCE ANY PARTS, ASSEMBLIES OR PRODUCTS DESCRIBED HEREIN WITHOUT EXPRESS WRITTEN PERMISSION	
7101 SD (00007101SD) DIMENSIONAL	DIMENSIONAL KEY
PAGE 6 OF 6	