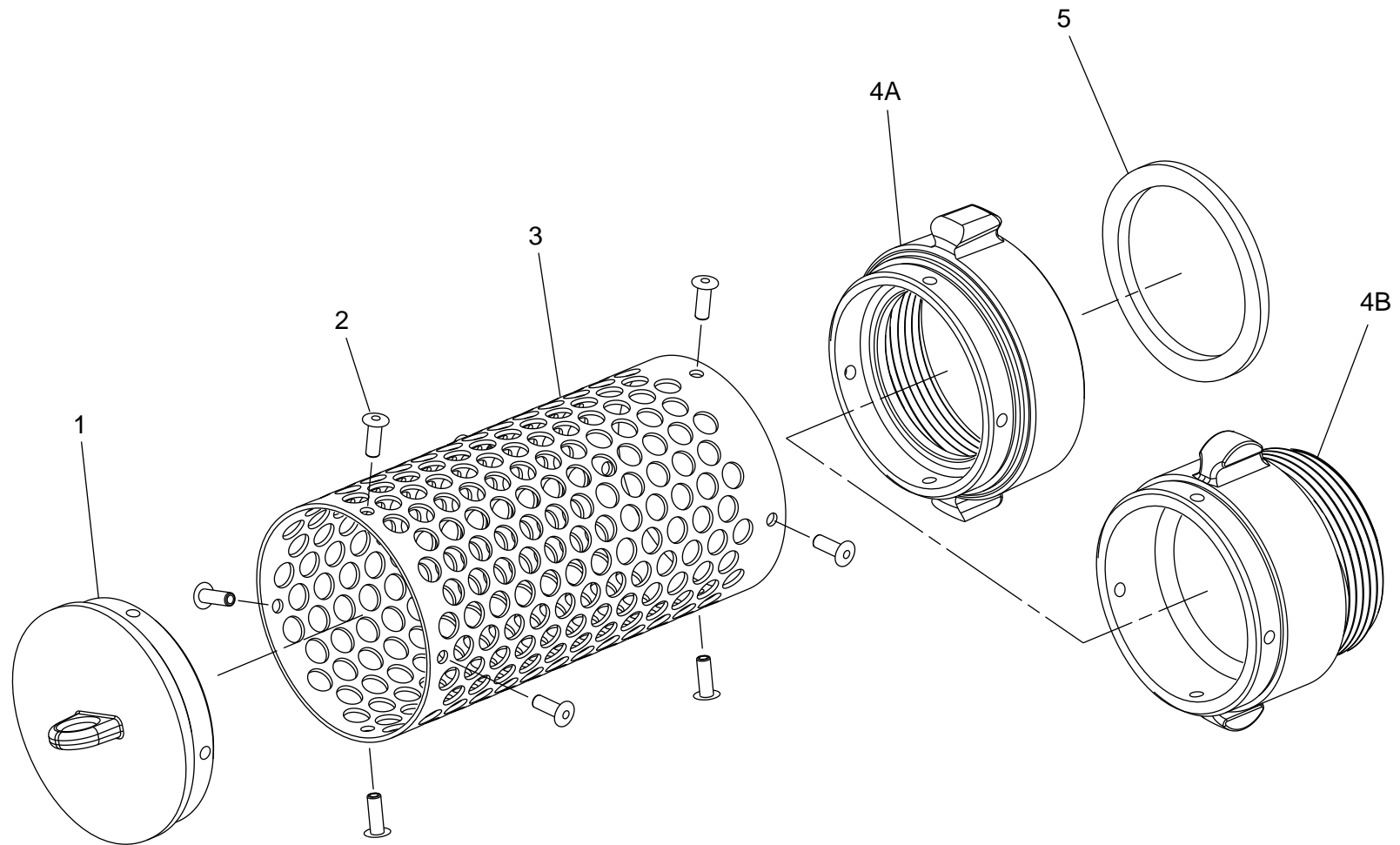




**APPARATUS ACCESSORIES
(315 - BARREL SUCTION STRAINER)**



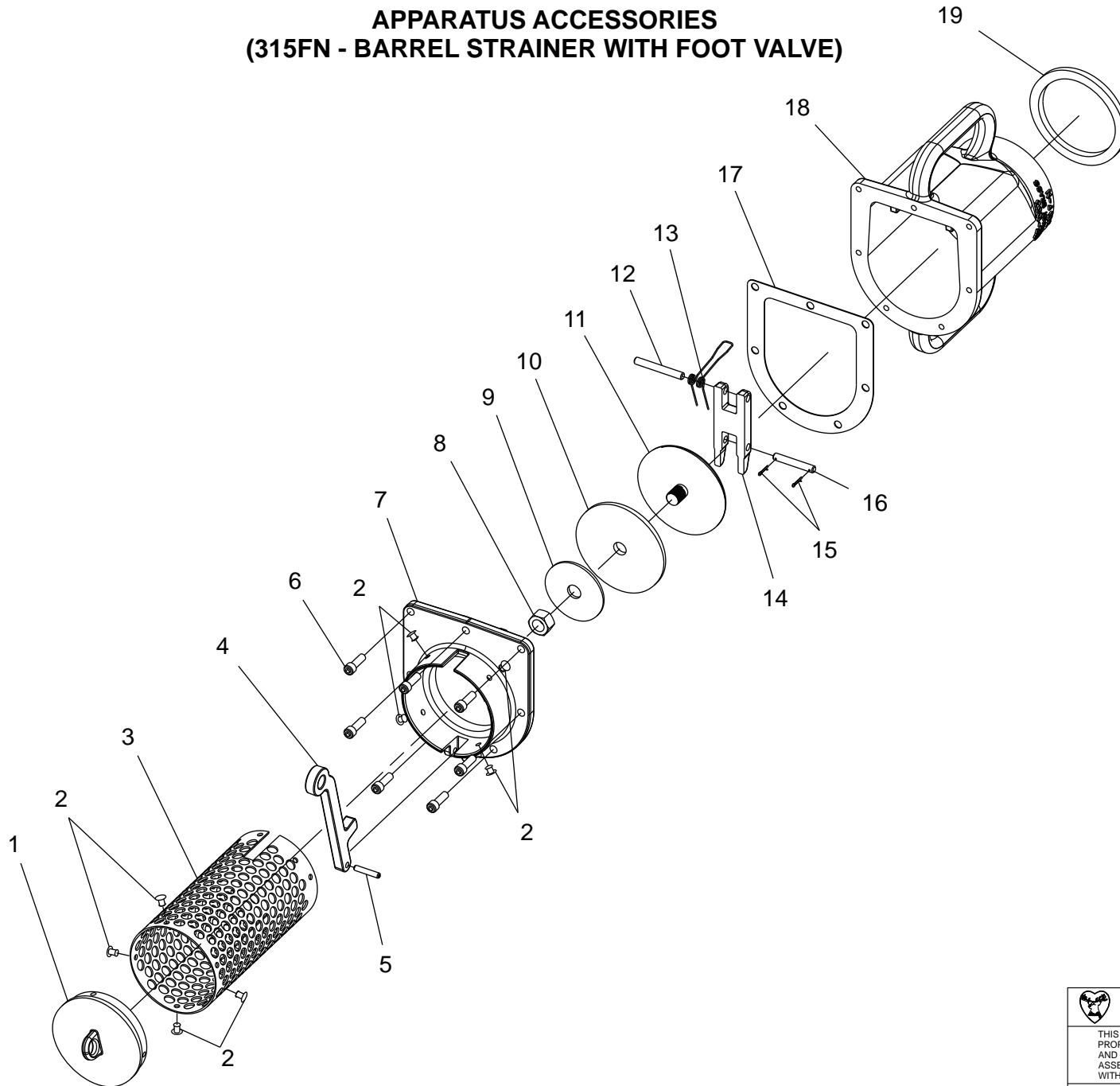
	ELKHART BRASS MFG. CO., INC. ELKHART, INDIANA
THIS DRAWING CONTAINS INFORMATION THAT IS PROPRIETARY TO ELKHART BRASS MFG. CO., INC. AND MAY NOT BE USED TO PRODUCE ANY PARTS, ASSEMBLIES OR PRODUCTS DESCRIBED HEREIN WITHOUT EXPRESS WRITTEN PERMISSION.	
APPARATUS ACCESSORIES PAGE 1 OF 4 03/2009	PART DRAWING

**APPARATUS ACCESSORIES
(315 - BARREL SUCTION STRAINER)**

INDEX #	PART #	QTY	DESCRIPTION
1	66580002	1	Top-Strainer (2.5 & 3.0 NHF or NHM)
1	66581002	1	Top-Strainer (4.0, 4.5, 5.0, & 6.0 NHF)
2	57712000	8	Rivet S/S
3	66653001	1	Tube-Strainer (2.5 & 3.0 NHF or NHM)
3	66652001	1	Tube-Strainer (4.0, 4.5, 5.0, & 6.0 NHF)
4A	15552002	1	Base-Strainer (2.5 NHF)
4A	15550002	1	Base-Strainer (3.0 NHF)
4A	15558002	1	Base-Strainer (4.0 NHF)
4A	15546002	1	Base-Strainer (4.5 NHF)
4A	15522002	1	Base-Strainer (5.0 NHF)
4A	15525002	1	Base-Strainer (6.0 NHF)
4B	15523002	1	Base-Strainer (2.5 NHM)
4B	15565002	1	Base-Strainer (3.0 NHM)
5	33083000	1	Gasket-Rubber (2.5 NHF)
5	33094000	1	Gasket-Rubber (3.0 NHF)
5	33177000	1	Gasket-Rubber (4.0 NHF)
5	33180000	1	Gasket-Rubber (4.5 NHF)
5	33179000	1	Gasket-Rubber (5.0 NHF)
5	33184000	1	Gasket-Rubber (6.0 NHF)

 ELKHART BRASS MFG. CO., INC. ELKHART, INDIANA	
<small>THIS DRAWING CONTAINS INFORMATION THAT IS PROPRIETARY TO ELKHART BRASS MFG. CO., INC. AND MAY NOT BE USED TO PRODUCE ANY PARTS, ASSEMBLIES OR PRODUCTS DESCRIBED HEREIN WITHOUT EXPRESS WRITTEN PERMISSION.</small>	
<small>APPARATUS ACCESSORIES PAGE 2 OF 4 03/2009</small>	<small>PART LIST</small>

**APPARATUS ACCESSORIES
(315FN - BARREL STRAINER WITH FOOT VALVE)**



	ELKHART BRASS MFG. CO., INC. ELKHART, INDIANA
THIS DRAWING CONTAINS INFORMATION THAT IS PROPRIETARY TO ELKHART BRASS MFG. CO., INC. AND MAY NOT BE USED TO PRODUCE ANY PARTS, ASSEMBLIES OR PRODUCTS DESCRIBED HEREIN WITHOUT EXPRESS WRITTEN PERMISSION.	
APPARATUS ACCESSORIES PAGE 3 OF 4 04/2009	PARTS DRAWING

APPARATUS ACCESSORIES
(315FN - BARREL STRAINER WITH FOOT VALVE)

INDEX #	PART #	QTY	DESCRIPTION
1	66582001	1	Top-Strainer
2	57712000	8	Rivet S/S
3	66654001	1	Tube-Strainer
4	44084001	1	Lever Pull
5	51232000	1	Roll Pin
6	61061000	7	Screw
7	51841001	1	Valve Plate (Clapper)
8	47540000	1	Hex Nut
9	33032000	1	Gasket Paper
10	61043000	1	Seat-Rubber
11	20498001	1	Clapper
12	33032000	1	Pin-Solid (Arm)
13	61810000	1	Spring-Tension
14	11441001	1	Connecting Arm (Clapper)
15	52046000	2	Pin-Cotter
16	52105001	1	Pin-Solid (Clapper)
17	71050001	1	Washer Disc
18	16231001	1	Body-Strainer
19	33094000	1	Gasket-Rubber



ELKHART BRASS MFG. CO., INC.
 ELKHART, INDIANA

THIS DRAWING CONTAINS INFORMATION THAT IS
 PROPRIETARY TO ELKHART BRASS MFG. CO., INC.
 AND MAY NOT BE USED TO PRODUCE ANY PARTS,
 ASSEMBLIES OR PRODUCTS DESCRIBED HEREIN
 WITHOUT EXPRESS WRITTEN PERMISSION.

APPARATUS ACCESSORIES
 PAGE 4 OF 4
 04/2009

PART
 LIST