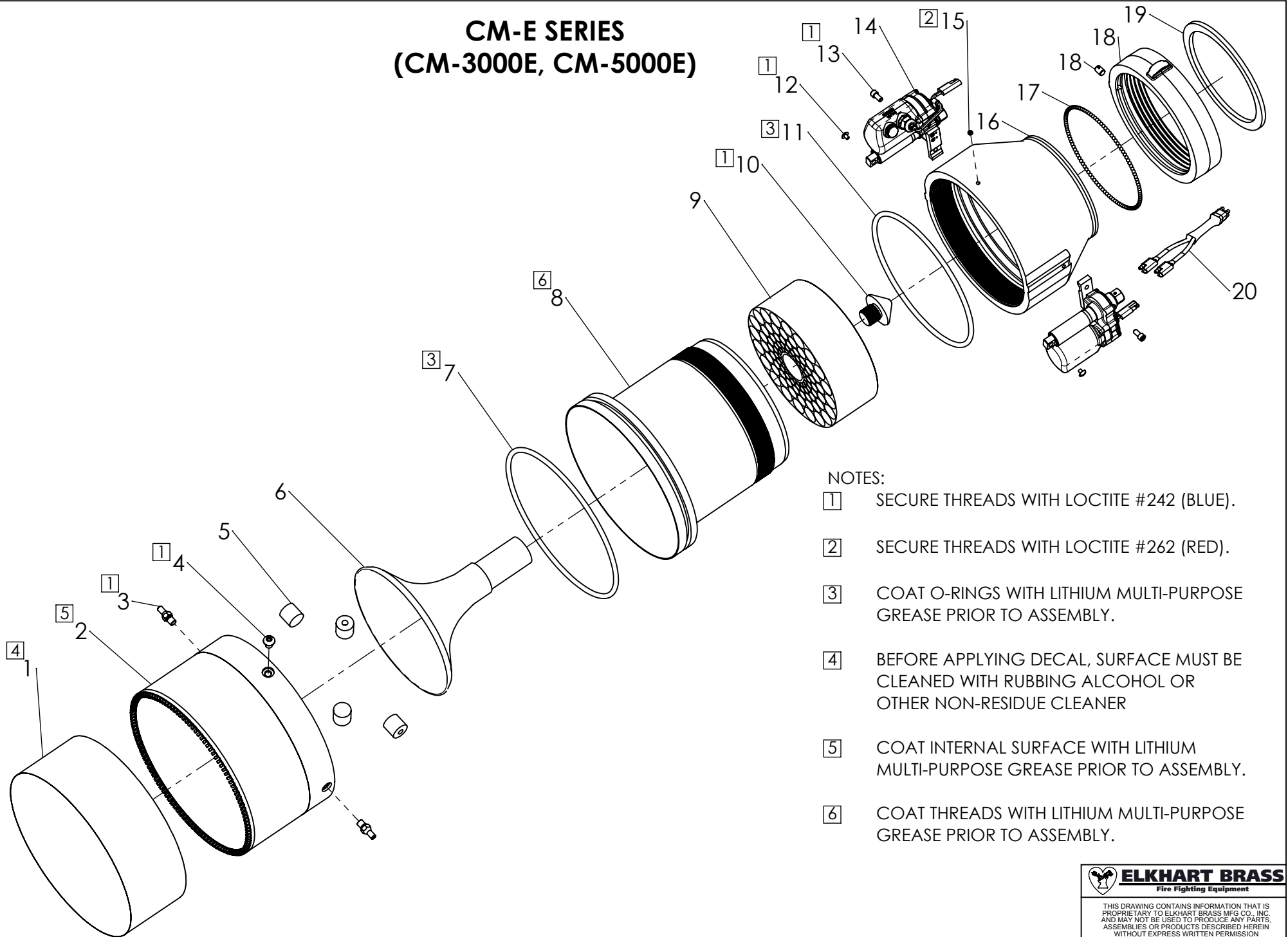


# CM-E SERIES (CM-3000E, CM-5000E)



## NOTES:

- ① SECURE THREADS WITH LOCTITE #242 (BLUE).
- ② SECURE THREADS WITH LOCTITE #262 (RED).
- ③ COAT O-RINGS WITH LITHIUM MULTI-PURPOSE GREASE PRIOR TO ASSEMBLY.
- ④ BEFORE APPLYING DECAL, SURFACE MUST BE CLEANED WITH RUBBING ALCOHOL OR OTHER NON-RESIDUE CLEANER
- ⑤ COAT INTERNAL SURFACE WITH LITHIUM MULTI-PURPOSE GREASE PRIOR TO ASSEMBLY.
- ⑥ COAT THREADS WITH LITHIUM MULTI-PURPOSE GREASE PRIOR TO ASSEMBLY.




THIS DRAWING CONTAINS INFORMATION THAT IS PROPRIETARY TO ELKHART BRASS MFG CO., INC. AND MAY NOT BE USED TO PRODUCE ANY PARTS, ASSEMBLIES OR PRODUCTS DESCRIBED HEREIN WITHOUT EXPRESS WRITTEN PERMISSION

CM-E  
PAGE 1 OF 2  
10/22/2018

PARTS  
DRAWING

## CM-E SERIES (CM-3000E, CM-5000E)

ITEM NO.	MODEL	PART NUMBER	DESCRIPTION	QTY.
1	ALL	44810000	LABEL - ID (CM-5000E)	1
2	ALL	66467001	TIP - NOZZLE (CM-5000E)	1
3	ALL	18449001	BRACKET - PUSH ROD (CM-5000E)	2
4	ALL	64166000	SCREW .375-24X0.500-LG BUTTON HEAD SS	2
5	ALL	63912001	SLEEVE - GUIDE	4
6	CM-5000E	65533001	STEM - HEAD & SHAFT 5000 GPM @ 100 PSI	1
6	CM-3000E	65533401	STEM - HEAD & SHAFT 3000 GPM @ 80 PSI	1
7	ALL	57576000	O-RING AS-568-448 9.475 X .275	1
8	ALL	17229001	BODY - NOZZLE (CM-5000E)	1
9	ALL	63445001	BASE - STEM/STREAM SHAPER	1
10	ALL	23617001	SHAFT - CAP (CM-5000E)	1
11	ALL	57575000	O-RING AS-568-446 8.475 x .275	1
12	ALL	61078000	SCREW 10-32X0.250 TRS CAP SS	2
13	ALL	61040000	SCREW 250-20X0.500 SOC CAP SS	2
14	ALL	81818001	ACTUATOR - ELECTRIC NOZZLE ASSY (CM-5000E)	2
15	ALL	65210000	SCREW 250-20X250 SET CONE SS	1
16	ALL	10503001	ADAPTER - INLET (CM-5000E)	1
17	ALL	15018000	0.187 STAINLESS STEEL BALL	112
18	ALL	63676000	SCREW-SET (SLOTTED) 0.375-24 X 0.500-LG	1
18	ALL	63022001	SWIVEL - 6" NH	1
19	ALL	33184000	GASKET-6" NH	1
20	ALL	37528000	HARNES - NOZZLE DUAL ACTUATORS	1

	<b>ELKHART BRASS</b> <small>Fire Fighting Equipment</small>
	<small>THIS DRAWING CONTAINS INFORMATION THAT IS          PROPRIETARY TO ELKHART BRASS MFG CO., INC.          AND MAY NOT BE USED TO PRODUCE ANY PARTS,          ASSEMBLIES OR PRODUCTS DESCRIBED HEREIN          WITHOUT EXPRESS WRITTEN PERMISSION</small>
<small>CM-E          PAGE 2 OF 2          10/22/2018</small>	<small>PARTS          DRAWING</small>