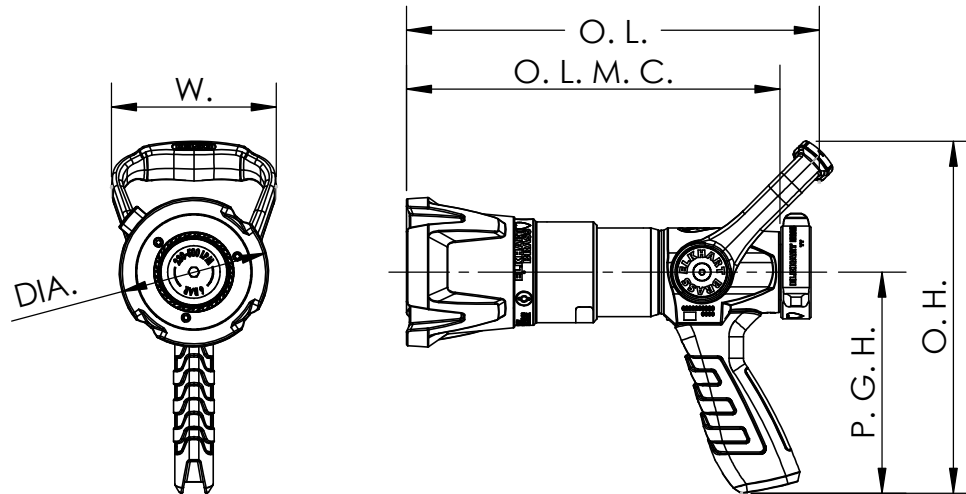


SELECT-O-MATIC XD EN DIMENSIONAL TABLE

FLOW RATE (LPM @ BAR)	TYPE	BASE (COUPLING)	(IN MILLIMETERS)							WEIGHT (KG.)		
			OVERALL LENGTH (O. L.)		OVERALL LENGTH MINUS COUPLING (O. L. M. C.)		BUMPER DIA. (DIA.)	BALE HANDLE WIDTH (W.)	PISTOL GRIP HEIGHT (P. G. H.)	OVERALL HEIGHT (O. H.)	NO PISTOL GRIP	PISTOL GRIP
			MAX (S.S.)	MIN (FLUSH)	MAX (S.S.)	MIN (FLUSH)						
230-500 @ 6 230-500 @ 7	NOZZLE	FREE SWIVLE - 1.5" (38 MM)	282	262	247	227	99	109	146	233	1.6	1.8
		FREE SWIVEL - 1.0" (25 MM) X 2.5" (65 MM) BRITISH INSTANTANEOUS	354	334							1.8	2.0
		FREE SWIVEL - 1.0" (25 MM) X 2.0" (52 MM) BSP MALE	343	323							1.7	1.9
		FREE SWIVEL - 1.0" (25 MM) X 2.0" (52 MM) BSP MALE WITH 2.0" (52 MM) BSP FEMALE X 2.0" (52 MM) STORZ	376	356							1.9	2.1



ELKHART BRASS
Fire Fighting Equipment

THIS DRAWING CONTAINS INFORMATION THAT IS PROPRIETARY TO ELKHART BRASS MFG CO., INC. AND MAY NOT BE USED TO PRODUCE ANY PARTS, ASSEMBLIES OR PRODUCTS DESCRIBED HEREIN WITHOUT EXPRESS WRITTEN PERMISSION

SM XD EN NOZZLE - DIMENSIONAL
PAGE 1 OF 1
11/01/2021

DIMENSIONAL
TABLE