


ELKHART BRASS
 Fire Fighting Equipment

THIS DRAWING CONTAINS INFORMATION THAT IS PROPRIETARY TO ELKHART BRASS MFG CO., INC. AND MAY NOT BE USED TO PRODUCE ANY PARTS, ASSEMBLIES OR PRODUCTS DESCRIBED HEREIN WITHOUT EXPRESS WRITTEN PERMISSION

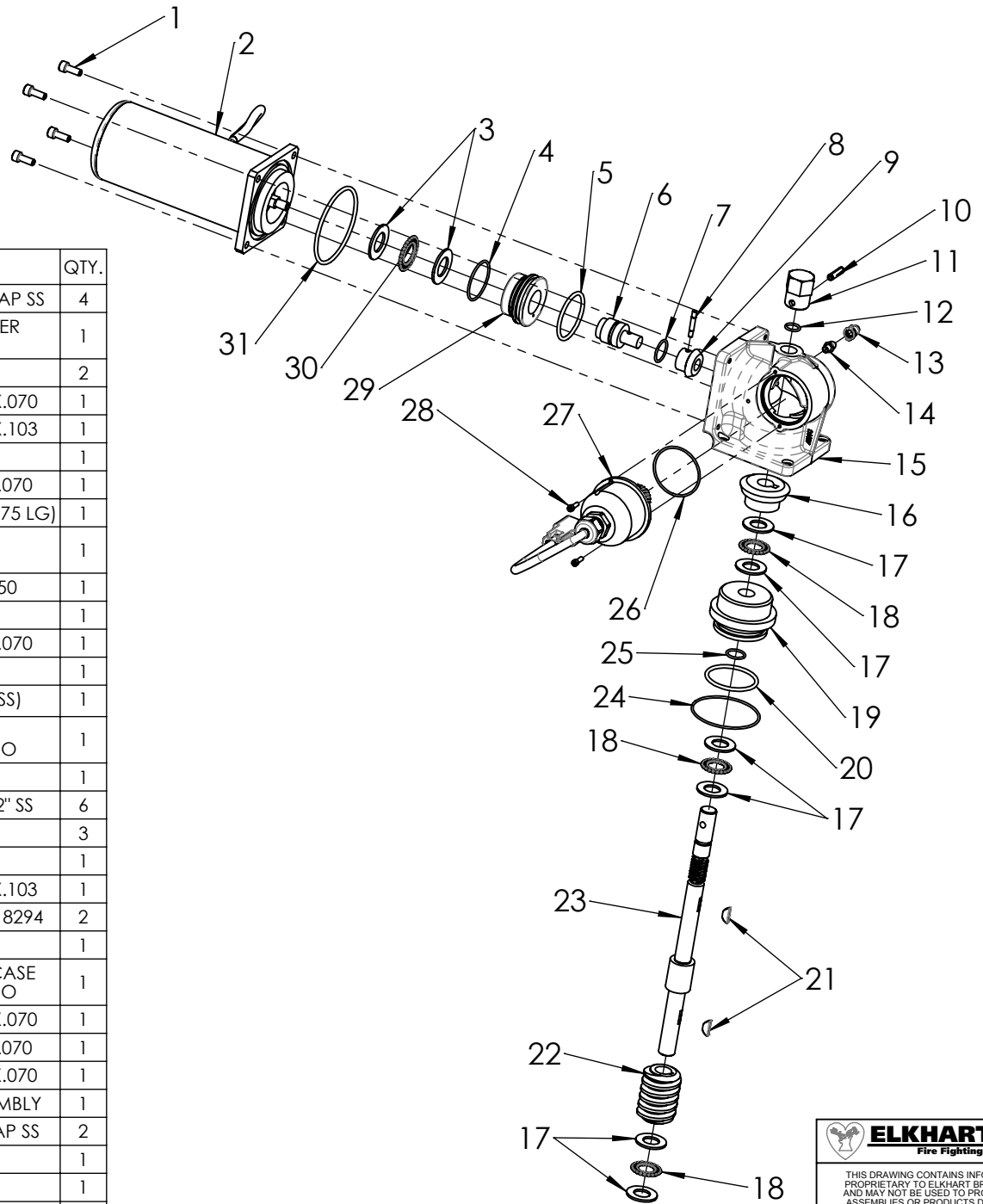
7600_PARTS	PARTS DRAWING
PAGE 1 OF 2	
04/04/2017	

ITEM NO.	PART NUMBER	DESCRIPTION	QTY.
1	18259001	BODY - OUTLET (LEFT) 7600 EXM	1
2	65226001	SCREW .500-20X0.375 SOC SET SS	4
3	57561000	O RING AS-568-249 4.859 X .139	2
4	15009000	BALL (0.375 DIA.) STAINLESS STEEL	200
5	23735000	CLAMP CUSHIONED LOOP TYPE 1/4	1
6	64078000	SCREW 250-20X0.250 BUT CAP SS	1
7	39141000	GAUGE - (0-200 PSI) LUMINESCENT 2.0" DIA	1
8	37515000	HARNESS - SENSOR 8294-EXM (LONG)	1
9	61037000	SCREW 10-24X0.500 SOC CAP SS	7
10	81810001	90° GEARCASE W/POT & 2:1 GEAR RATIO	1
11	18258001	BODY - OUTLET (RIGHT) 7600 EXM	1
12	31011100	FITTING - GREASE (3/16 DRIVE 65 DEG) S/S	2
13	23491000	GREASE FITTING CAP	3
14	11794001	ADAPTER MALE X BG (UPPER) 4.25" WATER WAY	1
15	57553000	O RING AS-568-351 4.725 X .210	1
16	65210000	SCREW 250-20X250 SET CONE SS	3
17	67085001	TEE - MONITOR DISCHARGE	1
18	24666001	COVER - ELECTRONICS & NAMEPLATE 7600 EXM	1
19	64103000	SCREW 8-32X0.500 SOC CAP SS	12
20	51904000	PLUG - PIPE 1" NPT SOCKET	1
21	11907000	ANTENNA 2.4 GHZ EXM MNTR	1
22	57552000	O RING AS-568-048 4.739 X .070	2
23	63787000	SCREW 312-18X1.000 SOC CAP SS	16
24	51079000	PIN - DRIV-LOK 0.250 X 0.500 TYPE 'H'	4
25	71513000	Washer Thrust 5/8"	2
26	57383000	O RING AS-568-141 2.300 X.103	1
27	23570000	CLAMP - LOOP CUSHIONED (1/2" DIA)	1
28	81274001	12-VDC MOTOR & COVER ASSEMBLY	1
29	63789000	SCREW 10-24X0.625 SOC CAP SS	1
30	37038100	HARNESS - POWER / CAN EXM	1

ITEM NO.	PART NUMBER	DESCRIPTION	QTY.
31	15699000	BEARING THRUST 5/8"	1
32	17707001	BEARING BUSHING	1
33	57337000	O RING AS-568-025 1.176 X.070	1
34	57295000	O RING AS-568-016 .614 X.070	1
35	67526001	SHAFT - WORM (7600 EXM)	1
36	57298000	O RING AS-568-012 .364 X.070	1
37	71511000	Washer Thrust for 2940 1/2" SS	2
38	15698000	BEARING THRUST 1/2"	1
39	16252001	BODY - INLET 7600 EXM	1
40	18009001	BASE - MONITOR 6" 150# FLG 7600 EXM	1
41	57458000	O RING AS-568 2-260 6.484X.139	2
42	31011000	Grease Fitting (3/16 DR-SS)	1
43	47651001	NUT - VALVE (3/4 HEX)	1
44	51224000	PIN ROLL 79-040-187-0.750	1
45	81793001	MODULE-ALLEGRO	1
46	67546001	SHAFT - THRUST ROD (7600 EXM)	1
47	57521000	O RING AS-568-028 1.364X.070	1
48	46056000	MAGNET - ROUND 8MM OD X 4MM LG	1
49	57488000	O RING AS-568-035 2.239 X.070	1
50	71525000	WASHER - THRUST - 1 1/4" (0.060-0.063 THK)	2
51	18303000	BEARING THRUST 1-1/4"	1
52	47809001	NUT - BEARING ADJUSTMENT (7600 EXM)	1
53	12006001	ADAPTER - SENSOR MOUNTING (7600 EXM)	1
54	65156000	SCREW M4X.7MMX10 LG CHS HD SS	2
55	65835000	RFA 4001 SENSOR - ROTARY POSITION	1
56	24659001	COVER - RFA SENSOR	1
57	37072000 (7501)	HARNESS - NOZZLE	1

 ELKHART BRASS Fire Fighting Equipment	
<small>THIS DRAWING CONTAINS INFORMATION THAT IS PROPRIETARY TO ELKHART BRASS MFG CO., INC. AND MAY NOT BE USED TO PRODUCE ANY PARTS, ASSEMBLIES OR PRODUCTS DESCRIBED HEREIN WITHOUT EXPRESS WRITTEN PERMISSION</small>	
7600_PARTS PAGE 2 OF 2 04/04/2017	PARTS DRAWING

ITEM NO.	PART NUMBER	DESCRIPTION	QTY.
1	61037000	SCREW 10-24X0.500 SOC CAP SS	4
2	81274001	12-VDC MOTOR & COVER ASSEMBLY	1
3	71513000	Washer Thrust 5/8"	2
4	57337000	O RING AS-568-025 1.176 X.070	1
5	57394000	O RING AS-568-126 1.362 X.103	1
6	65862001	SHAFT-STUB	1
7	57295000	O RING AS-568-016 .614 X.070	1
8	51071000	PIN-DRIVLOC (0.125 DIA X .875 LG)	1
9	33983001	PINION GEAR HL148Y	1
10	51224000	PIN ROLL 79-040-187-0.750	1
11	47651001	NUT - VALVE (3/4 HEX)	1
12	57298000	O RING AS-568-012 .364 X.070	1
13	23491000	GREASE FITTING CAP	1
14	31011000	Grease Fitting (3/16 DR-SS)	1
15	24487001	CASE - GEAR 90° W/POT & 2:1 GEAR RATIO	1
16	33984000	GEAR - PINION	1
17	71511000	Washer Thrust for 2940 1/2" SS	6
18	15698000	BEARING THRUST 1/2"	3
19	65596001	SPACER - BEARING	1
20	57336000	O RING AS-568-127 1.424 X.103	1
21	42002000	WOODRUFF #404 KEY FOR 8294	2
22	71246000	GEAR - WORM (8294)	1
23	67527001	SHAFT - WORM 90° GEARCASE W/POT & 2:1 GEAR RATIO	1
24	57422000	O RING AS-568-033 1.989 X.070	1
25	57321000	O RING AS-568-014 .489 X.070	1
26	57482000	O RING AS-568-029 1.489 X.070	1
27	81604000	POTENTIOMETER SUB-ASSEMBLY	1
28	63780000	SCREW 4-40X0.375 SOC CAP SS	2
29	18312001	BEARING - BUSHING	1
30	15699000	BEARING THRUST 5/8"	1
31	57383000	O RING AS-568-141 2.300 X.103	1



ELKHART BRASS
Fire Fighting Equipment

THIS DRAWING CONTAINS INFORMATION THAT IS PROPRIETARY TO ELKHART BRASS MFG CO., INC. AND MAY NOT BE USED TO PRODUCE ANY PARTS, ASSEMBLIES OR PRODUCTS DESCRIBED HEREIN WITHOUT EXPRESS WRITTEN PERMISSION

81810001_PARTS
PAGE 1 OF 1

PARTS DRAWING