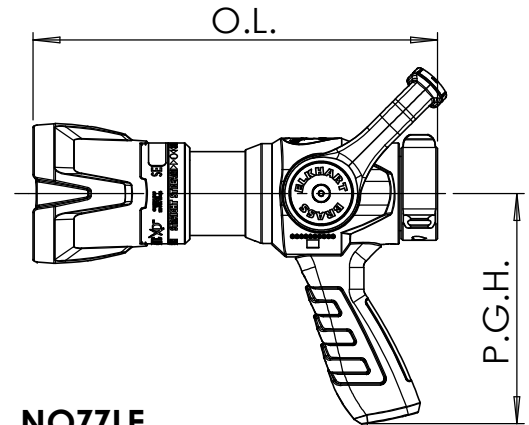
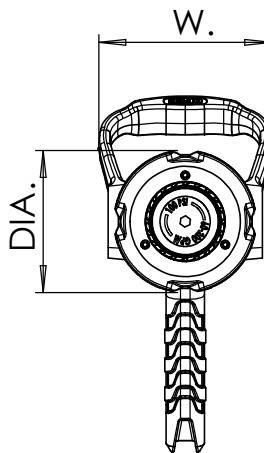
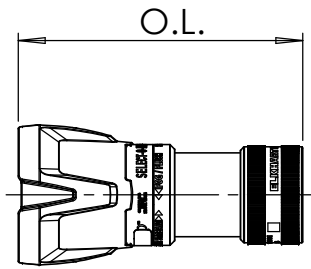


TIP



NOZZLE

SELECT-O-MATIC XD DIMENSIONAL TABLE

FLOW RATE (GPM @ PSI)	TYPE	BASE	(IN INCHES)						WEIGHT (LBS.)	
			BASE SIZE	OVERALL LENGTH (O.L.)		BUMPER DIA. (DIA.)	BALE HANDLE WIDTH (W.)	PISTOL GRIP HEIGHT (P. G. H.)	NO PISTOL GRIP	PISTOL GRIP
				MAX (S.S.)	MIN (FLUSH)					
60-200 @ 100 60-200 @ 75	TIP	RIGID	1.5	7.410	6.740	3.70	N/A	N/A	2.5	N/A
	NOZZLE	FREE SWIVEL	1.5	11.020	10.350	3.70	4.5	6.00	4.6	5.1
75-325 @ 100 75-325 @ 75	TIP	RIGID	1.5	9.50	8.44	3.70	N/A	N/A	4.5	N/A
	NOZZLE	FREE SWIVEL	1.5	12.76	11.70	4.22	4.5	6.00	6.5	7.0
	NOZZLE	FREE SWIVEL	2.5	14.61	13.57	4.22	4.5	6.00	7.5	8.0

ELKHART BRASS
Fire Fighting Equipment

THIS DRAWING CONTAINS INFORMATION THAT IS PROPRIETARY TO ELKHART BRASS MFG CO., INC. AND MAY NOT BE USED TO PRODUCE ANY PARTS, ASSEMBLIES OR PRODUCTS DESCRIBED HEREIN WITHOUT EXPRESS WRITTEN PERMISSION

Select-O-Matic XD (Dimensional)
PAGE 1 OF 1
05/04/2018

DIMENSIONAL
DRAWING