

### SIDEWINDER 8492

INDEX #	Part #	QTY	DESCRIPTION
1	17949001	1	Base - 2" NPT
2	63687000	4	Set Screw
3	17920001	1	Body Inlet
4	10461001	2	Flange Adapter
5	57502000	2	O Ring
6	15027000	144	0.250 Ball S/S
7	17921001	1	Body Outlet
8	36338001	1	Handle - Monitor Elk-O-Lite
9	63795000	8	Socket Cap Screw S/S
10	36724001	2	Handle-lock
11	51236000	2	Roll Pin
12	62813001	2	Lock shaft
13	71516000	2	Thrust Washer
14	44409001	2	Cam lock S/S
15	31011000	2	Grease Fitting
16	44242000	1	Label Serial Number
17	61215100	2	Drive Screw S/S

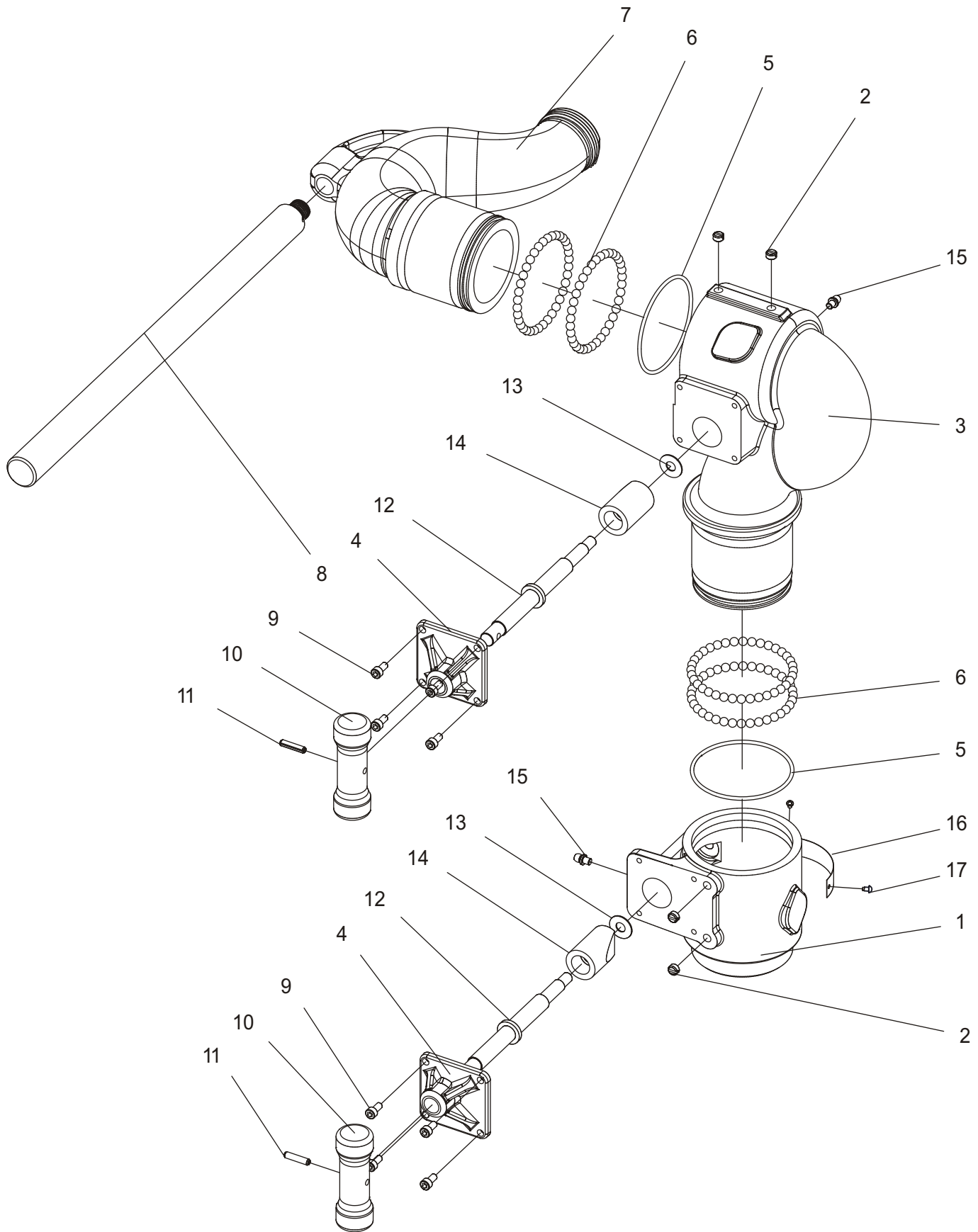



ELKHART BRASS MFG. CO., INC.  
ELKHART, INDIANA

THIS DRAWING CONTAINS INFORMATION THAT IS  
PROPRIETARY TO ELKHART BRASS MFG. CO., INC.  
AND MAY NOT BE USED TO PRODUCE ANY PARTS,  
ASSEMBLIES OR PRODUCTS DESCRIBED HEREIN  
WITHOUT EXPRESS WRITTEN PERMISSION.

SIDEWINDER 8492  
PAGE 2 OF 4  
12/2007

PART  
LIST




**ELKHART BRASS MFG. CO., INC.**  
 ELKHART, INDIANA  
 THIS DRAWING CONTAINS INFORMATION THAT IS  
 PROPRIETARY TO ELKHART BRASS MFG. CO., INC.  
 AND MAY NOT BE USED TO PRODUCE ANY PARTS,  
 ASSEMBLIES OR PRODUCTS DESCRIBED HEREIN  
 WITHOUT EXPRESS WRITTEN PERMISSION.

SIDEWINDER 8392 PAGE 3 OF 4 12/2007	PART DRAWING
---	-----------------

### SIDEWINDER 8392 (BRASS)

ITEM #	PART #	QTY	DESCRIPTION
1	17951001	1	Base 2" NPT
2	63687000	4	Set Screw Nylon
3	17925001	1	Body Inlet
4	10455001	2	Flange - Adapter
5	57502000	2	O Ring
6	15027000	144	.250 Ball
7	17926001	1	Body-outlet
8	36750001	1	Handle - Monitor Brass
9	64074000	8	Socket Cap Screw S/S
10	36724001	2	Handle-lock
11	51236000	2	Roll Pin
12	62813001	2	Lock shaft
13	71516000	2	Thrust Washer
14	44409001	2	Cam lock
15	31011000	2	Grease Fitting
16	44242100	1	Label-serial Number
17	61215100	2	Rd Hd Drive Screw S/S



ELKHART BRASS MFG. CO., INC.  
ELKHART, INDIANA

THIS DRAWING CONTAINS INFORMATION THAT IS  
PROPRIETARY TO ELKHART BRASS MFG. CO., INC.  
AND MAY NOT BE USED TO PRODUCE ANY PARTS,  
ASSEMBLIES OR PRODUCTS DESCRIBED HEREIN  
WITHOUT EXPRESS WRITTEN PERMISSION.

SIDEWINDER 8392  
PAGE 4 OF 4  
12/2007

PART  
LIST