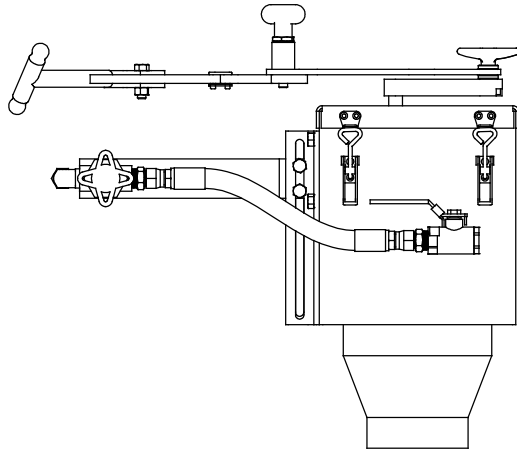
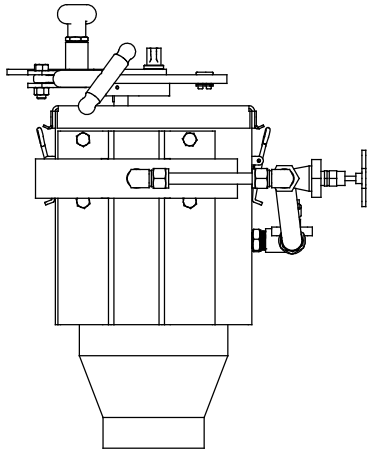
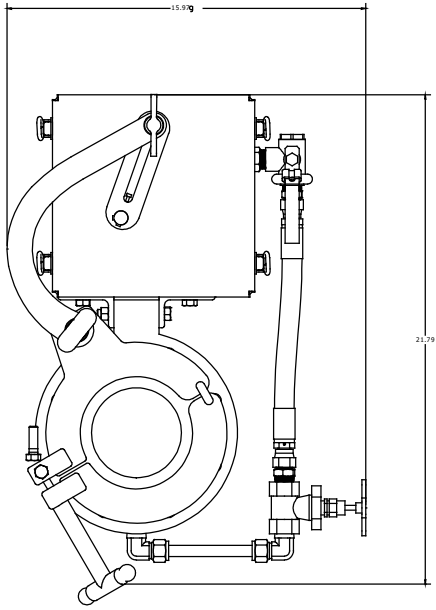


CLAMP DIAMETER (DIMENSION A)		
ITEM NUMBER	A (IN)	A (MM)
02000001	5.25	133.35
02000002	6.50	165.10



DATE	11/1/2017		
BY		TITLE	
CHKD			
APP'D			
SCALE	1:1	SIZE	8
		DRW NO	
		SHEET 1 OF 1	