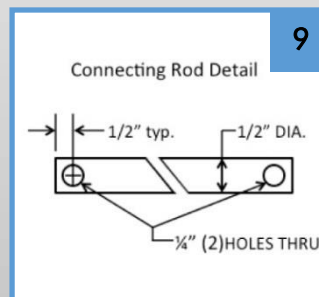
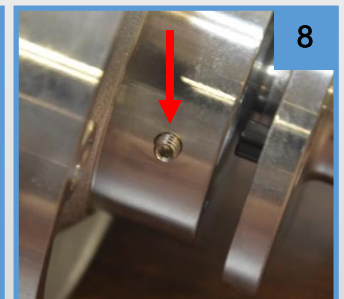
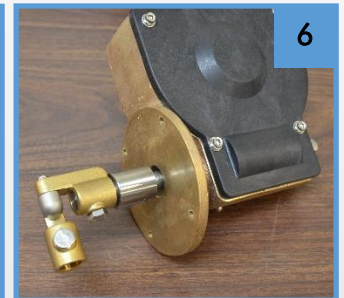
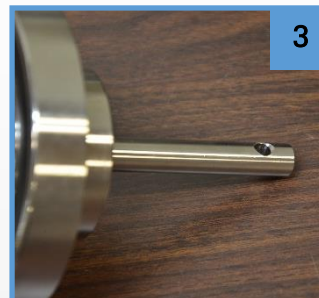
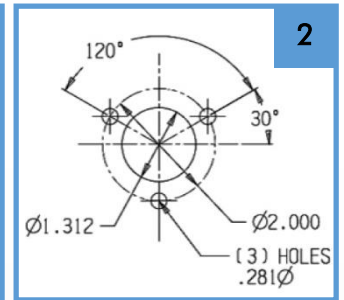
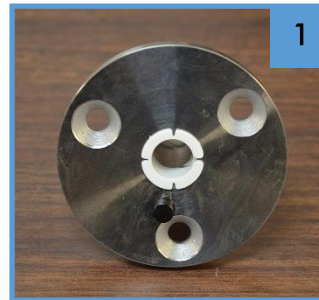


# Hand wheel Install Guide

## Model: GWP-4 & GWP-6 Position Indicating Installation Guide

### NEW INSTALLATION

1. Mount bezel in panel with the magnet side down (Fig. 1) at approximately 7 o'clock position. Use the three (3) countersunk bolts and nuts provided. See panel template (Fig. 2) for bezel mounting cutout dimensions.
2. If mounting in a horizontal surface, the magnet position depends on viewing angle.
3. Remove the protective shipping cap from the shaft end (Fig. 3).
4. Insert the Hand wheel stem through the bezel (Fig. 4). Use caution not to push out the Nylon bushing at the back. Connect the first universal joint to the hole on the hand wheel stem. (Fig. 5). Secure u-joint bolts with Loctite 242 or equivalent.
5. Place the valve in the fully closed position and install the universal joint adapter to the valve shaft (roll pin provided) and the u-joint to the adapter. (Fig 6). Secure u-joint bolts with Loctite 242 or equivalent.
6. Ensure that the dial needle is pointing to the center of the CLOSED position mark on the dial. You may need to rotate dial by hand to align the needle (Fig. 7).
7. Insert the dial assembly into the hand wheel center bore so that the hand wheel spinner is located at the 6 o'clock position and the "Elkhart" logo is aligned as shown. (Fig 7)
8. Add a drop of blue Loctite 242 or equivalent to the dial retention set screw (shipped in the same box as the dial assembly) and install it into the body (Fig. 8). Tighten to approx. 2 in-lbs. Note: Over-tightening may crack the case.
9. Rotate the hand wheel back and forth slightly to ensure the alignment magnets have caught. Place the hand wheel spinner back in the 6 o'clock position and make sure the needle is pointing to the full closed line on the dial. (Fig 7)
10. Remove the "do not over-tighten" label from the dial face.



11. Use proper length, 1/2" diameter connecting rod (not supplied) to connect from the first universal joint to the second universal joint (provided) located at the valve actuator. See (Fig. 9) for connecting rod details. Maximum angle from connecting rod to hand wheel shaft or valve shaft is 35°. Secure u-joint bolts with Loctite 242 or equivalent. When finished, the hand wheel spinner should be at the 6 o'clock position and the needle is pointing to the full closed line on the dial when the valve is fully closed.
12. Open the valve completely with the hand wheel to verify the needle points to the OPEN position.

**UPDATING FROM A PREVIOUS VERSION HANDWHEEL**

If you are replacing a previous style hand wheel with a new style one, the existing panel hole must be modified to fit the new handle bezel. Please reference the following instructions:

Previous Style

GWP-4 = P/N: 81517001/81517011

GWP-6.3 = P/N: 81516001/81516011

New Style

GWP-4 = P/N: 81811000

GWP-6 = P/N: 81813000

**STEP 1:**

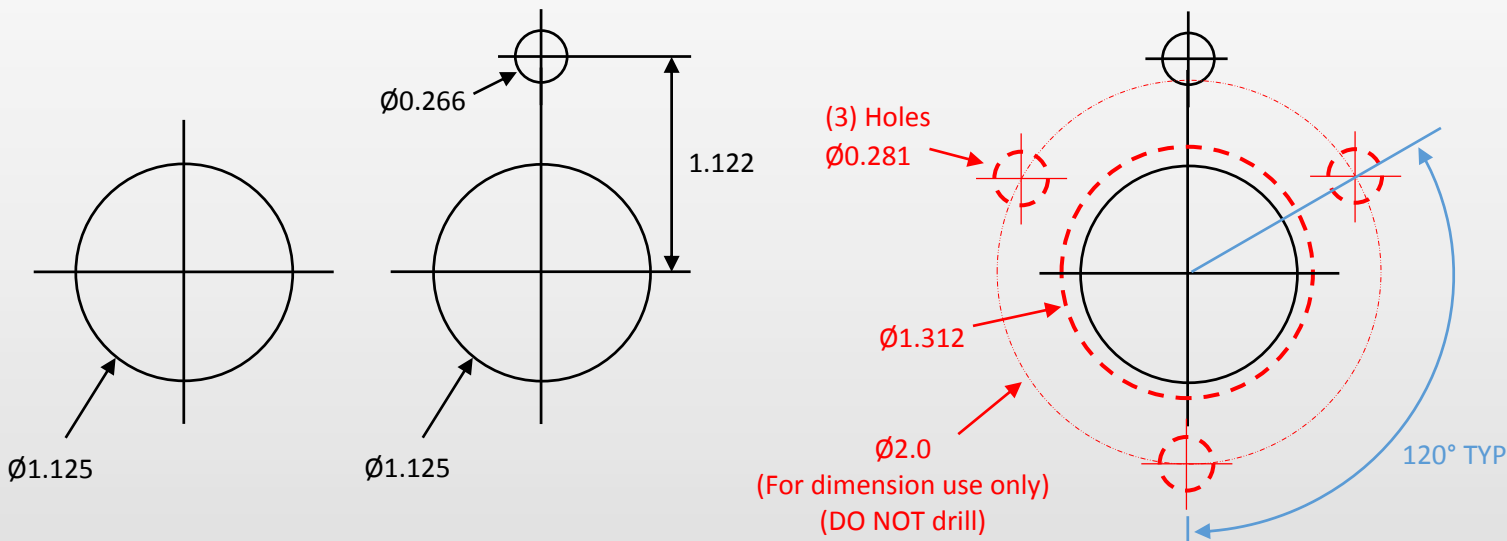
Use the following dimensional drawings to modify existing panel opening to accept the new panel bezel supplied.

Old GWP-4:

Old GWP-6.3:

New GWP-4 & GWP-6:

- Black: OLD GWP
- Red: New GWP mounting overlay



NOTE: Ensure page is printed at 100% page size. Confirm new GWP mounting cutout dimensions before drilling holes to avoid incorrect hole sizes.

**STEP 2:**

**Retrofitting to an old GWP-4 or GWP-6.3 install:**

Place the valve in the fully closed position. Install the new hand wheel assembly following steps 1-4 & 6-10 on page one. Rework the hand wheel end of the existing connecting rod to accept one of the new universal joints (see Fig. 9). When installed the hand wheel spinner knob should be in the 6 o'clock position when the valve is fully closed (Fig. 7). Replace the connecting rod if needed.