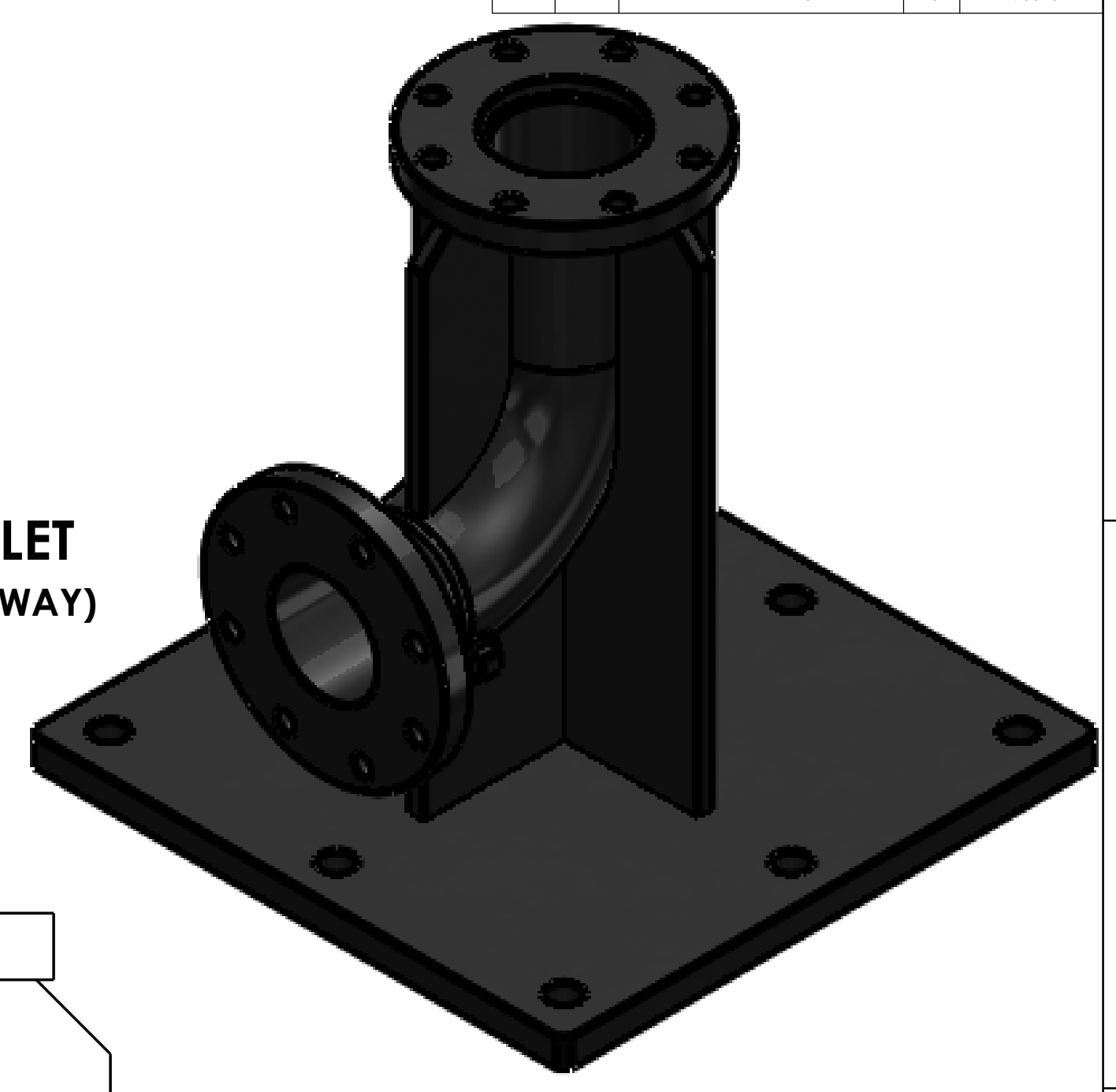
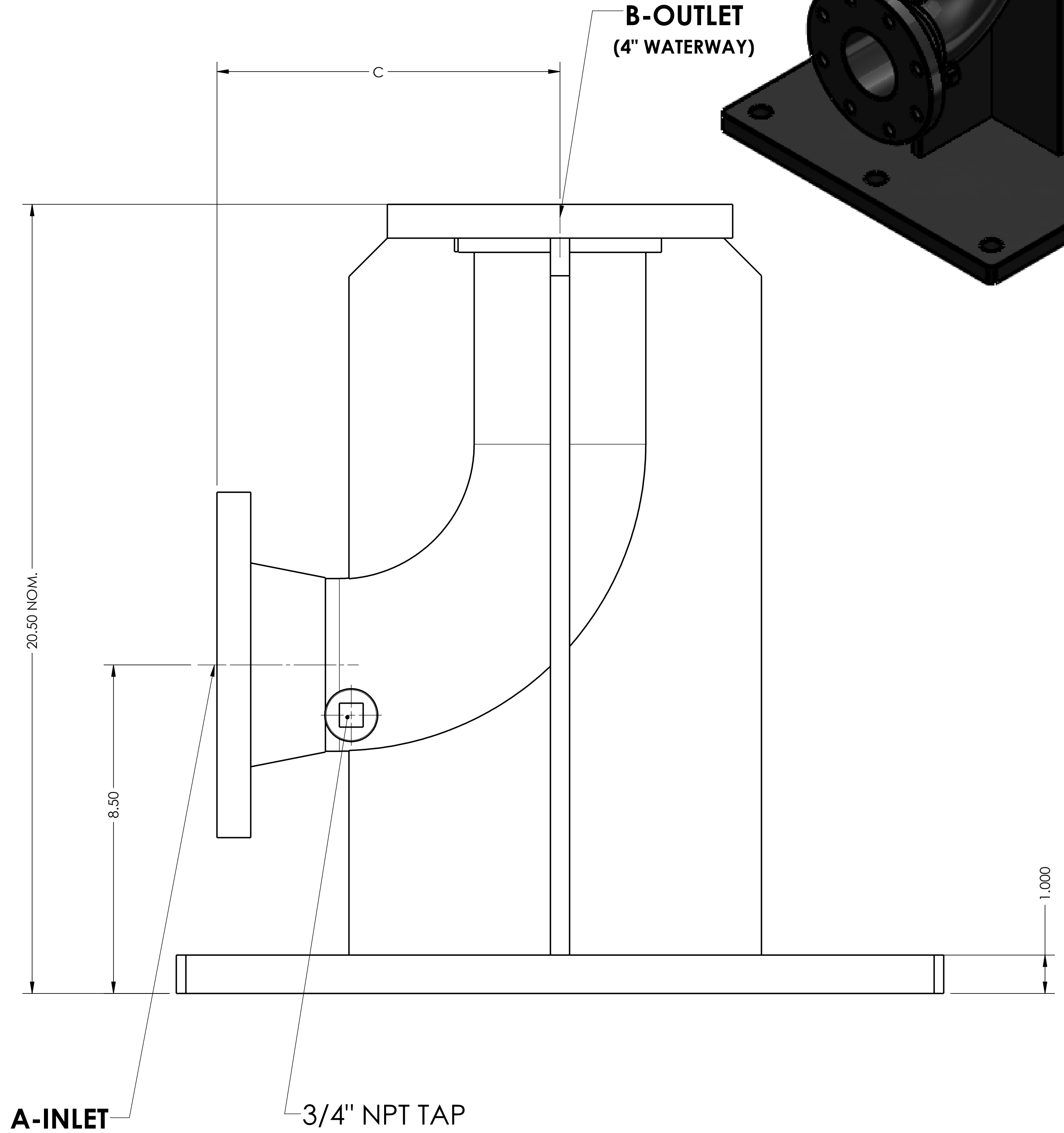
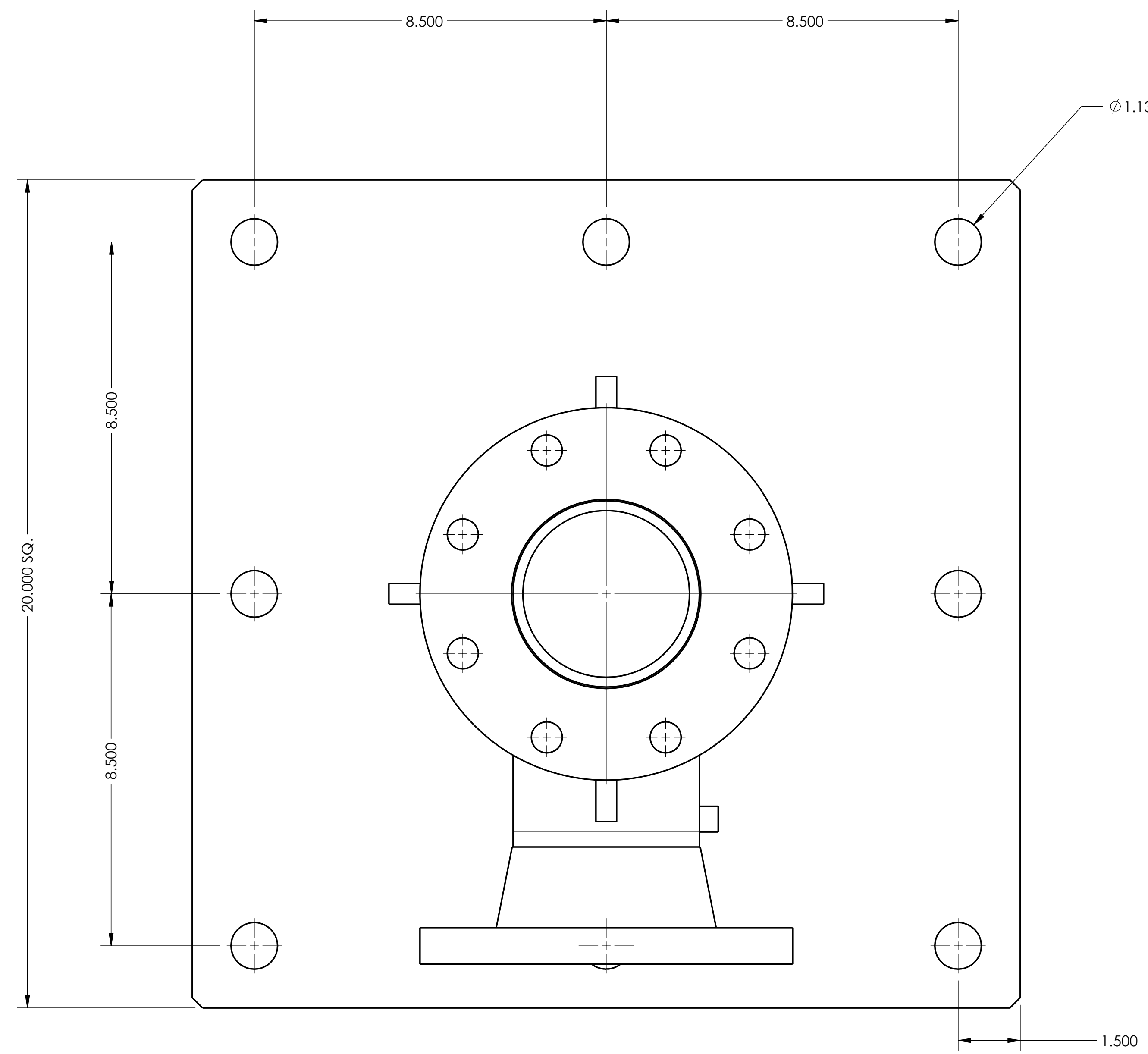


Elkhart Brass P/N	A-Inlet	B-Outlet	C
17960000	FLANGE, 6.0"-150#FF	FLANGE, 6.0"-150#RF	9.50 NOM
17960100	FLANGE, 6.0"-150#FF	FLANGE, 4.0"-150#FF	9.50 NOM
17960200	FLANGE, 6.0"-150#FF	FLANGE, 4.0"-150#RF	9.50 NOM
17960300	FLANGE, 6.0"-150#FF	FLANGE, 6.0"-300#FF	9.50 NOM
17960400	FLANGE, 6.0"-150#FF	FLANGE, 6.0"-300#RF	9.50 NOM

REV. REL.	ZONE	DESCRIPTION	BY	ECN NUMBER
		INITIAL RELEASE	MSF	170610



ATTACHED LABEL TO SHOW:

ELKHART BRASS (LOGO)
1302 WEST BREARDSLEY AVE
ELKHART, IN
46514 USA
(800)346-0250
MODEL #: 17960X00
WORK ORDER#: XX/XXXX

1. DO NOT SCALE DRAWING.
2. WELD PROCEDURE SPECIFICATION TO AWS B2.1-1-235:2006
3. HYDROSTATIC TESTED AT 325 PSI [22.41 BAR] FOR 15 MINUTES.
4. HOT DIP GALVANIZED TO ASTM A123/A123M-02
5. STANDARD FINISH: RAL 3003 OR PER CUSTOMER SPECIFICATIONS.

*Weight shown may not match all options.

ELKHART BRASS MFG. CO., INC. <small>#1302 West Breardsley Ave. Elkhart, IN 46514, USA</small> <small>The part and all data contained hereon is the sole and exclusive property of Elkhart Brass Mfg. Co., Inc. and shall not be disclosed to others without the consent of Elkhart Brass Mfg. Co., Inc. This part must be returned to Elkhart Brass Mfg. Co., Inc. if requested.</small> <small>Copyright © 2012 by Elkhart Brass Mfg. Co., Inc.</small>		DRAWN BY: MSF DATE: 7/6/17 CHECKED BY: MSF DATE: 7/6/17	ELKHART BRASS Fire Fighting Equipment
MATERIAL: Plain Carbon Steel		WEIGHT (LBS): 190.53	DESCRIPTION: ELEVATED MONITOR INTAKE BASE
<small>TOLERANCE UNLESS OTHERWISE SPECIFIED</small> 3 PLACE DEC. ± .010" 4 PLACE DEC. ± .005" ANGLES ± 0°30' 0"		<small>UNLESS OTHERWISE SPECIFIED</small> SURFACE FINISH: REMOVE BURRS AND SHARP CORNERS <small>INTERPRET DIMENSIONS AND TOLERANCES PER ASME Y14.5M 1994</small> CAD MODEL:	IND. SYS. D SIZE: 17960X00 PART NUMBER: 17960X00 CAD SCALE: 1:1 SHEET: 1 OF 1

17960X00 REV. REL