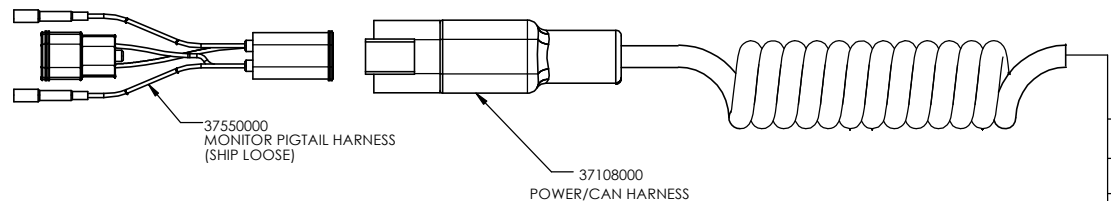
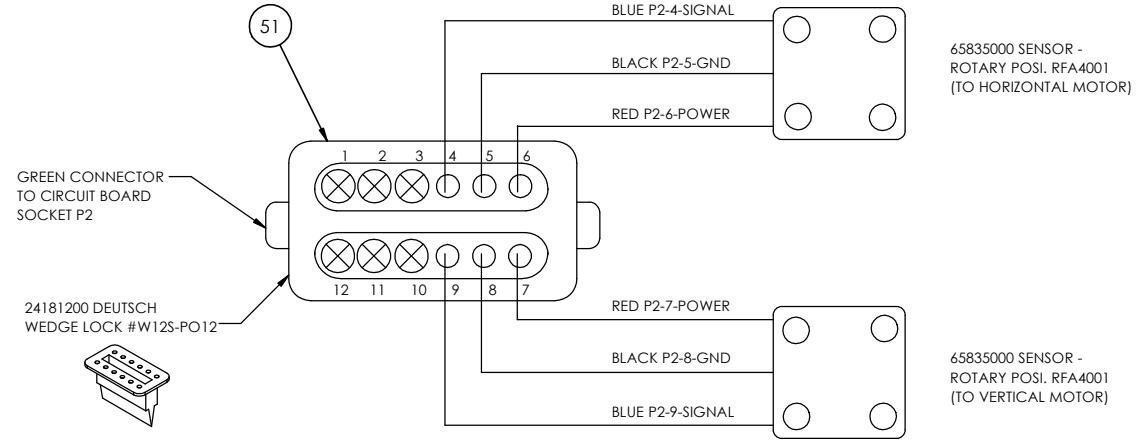


REV.	ZONE	DESCRIPTION	BY	ECN DATE
-	-	See Sheet1	-	-

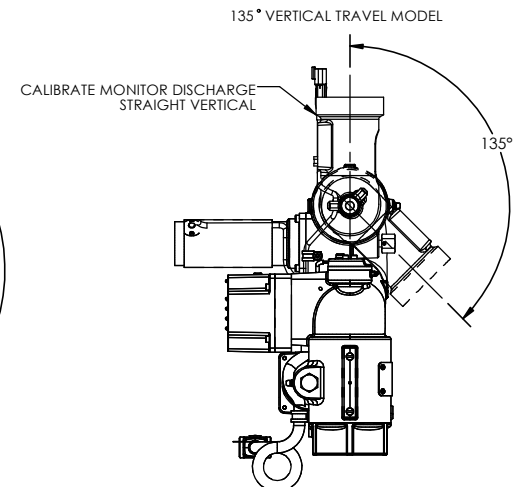
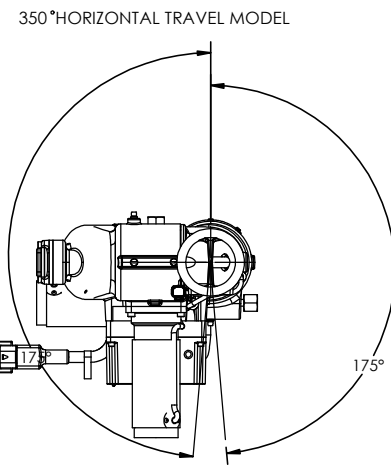
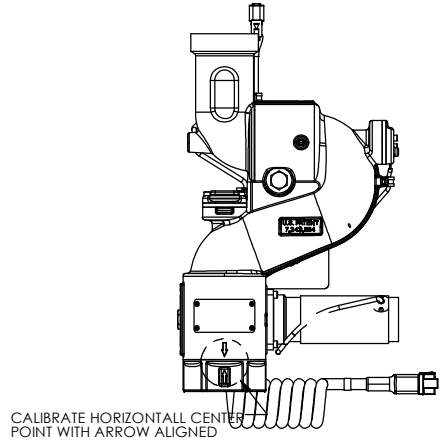
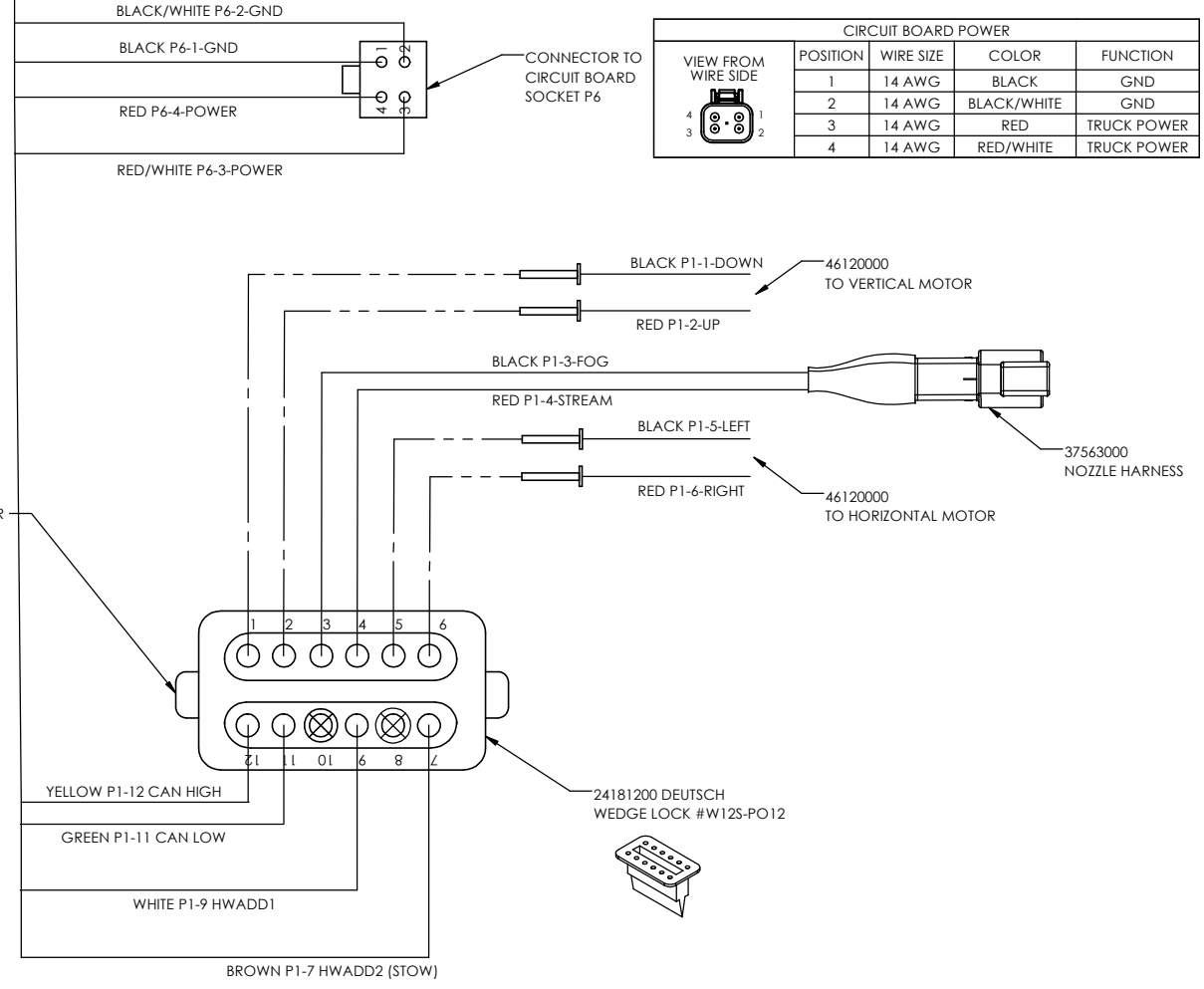
TO CIRCUIT BOARD P2				
VIEW FROM WIRE SIDE	POSITION	WIRE SIZE	COLOR	FUNCTION
	1	PLUG		
	2	PLUG		
	3	PLUG		
	4	18 AWG	BLUE	P2-4-SIGNAL
	5	18 AWG	BLACK	P2-5-GND
	6	18 AWG	RED	P2-6-POWER
	7	18 AWG	RED	P2-7-POWER
	8	18 AWG	BLACK	P2-8-GND
	9	18 AWG	BLUE	P2-9-SIGNAL
	10	PLUG		
	11	PLUG		
	12	PLUG		



INPUT POWER HARNESS				
VIEW FROM WIRE SIDE	POSITION	WIRE SIZE	COLOR	FUNCTION
	1	14 AWG	RED	TRUCK POWER
	2	14 AWG	RED/WHITE	TRUCK POWER
	3	20 AWG	YELLOW	CAN HIGH
	4	20 AWG	WHITE	HWADDR1
	5	20 AWG	BROWN	HWADDR2
	6	20 AWG	GREEN	CAN LOW
	7	14 AWG	BLACK	GROUND
	8	14 AWG	BLACK/WHITE	GROUND

CIRCUIT BOARD POWER				
VIEW FROM WIRE SIDE	POSITION	WIRE SIZE	COLOR	FUNCTION
	1	14 AWG	BLACK	GND
	2	14 AWG	BLACK/WHITE	GND
	3	14 AWG	RED	TRUCK POWER
	4	14 AWG	RED/WHITE	TRUCK POWER

TO CIRCUIT BOARD P1				
VIEW FROM WIRE SIDE	POSITION	WIRE SIZE	COLOR	FUNCTION
	1	18 AWG	BLACK	P1-1-DOWN
	2	18 AWG	RED	P1-2-UP
	3	18 AWG	BLACK	P1-3-STREAM
	4	18 AWG	RED	P1-4-FOG
	5	18 AWG	BLACK	P1-5-LEFT
	6	18 AWG	RED	P1-6-RIGHT
	7	20 AWG	BROWN	HWADD2
	8	PLUG		LIGHT
	9	20 AWG	WHITE	HWADD1
	10	PLUG		LIGHT GND
	11	18 AWG	GREEN	CAN LOW
	12	18 AWG	YELLOW	CAN HIGH



<small>ELKHART BRASS MFG. CO., INC.</small> <small>11322 West Beardsley Ave. Elkhart, IN 46514, USA</small> <small>Copyright and all other control marks are the sole and exclusive property of Elkhart Brass Mfg. Co., Inc. This part may be returned to Elkhart Brass Mfg. Co., Inc. if requested.</small> <small>Copyright © 2012 by Elkhart Brass Mfg. Co., Inc.</small>		<small>DESIGNED BY</small> LSP <small>DATE</small> 03/18/2019 <small>CHECKED BY</small> KAS <small>DATE</small> 03/20/2019	<b>ELKHART BRASS</b> Fire Fighting Equipment
<small>MATERIAL</small> N/A <small>TOLERANCE UNLESS OTHERWISE SPECIFIED</small> ±.12" <small>1 PLACE DEC.</small> ±.12" <small>2 PLACE DEC.</small> REF <small>ANGLES</small> ±1°	<small>UNLESS OTHERWISE SPECIFIED DIMENSIONS ARE IN INCHES DO NOT SCALE PRINT</small> <b>ASSEMBLY</b> <small>INTERPRET DIMENSIONS AND TOLERANCES PER ASME Y14.5M 1994</small> <small>CAD MODEL</small> 7121 <small>THIRD ANGLE PROJECTION</small>	<small>HEIGHT (MM)</small> 20.000 <small>DESCRIPTION</small> 7100 HDX2 - SIDEWINDER EXM MONITOR (WITH POSITION FEEDBACK) <small>SIZE</small> D <small>CATALOG NO.</small> 7100HDX2 <small>CAD SCALE</small> 3:4 <small>SHEET</small> 2 OF 2	<small>REV.</small> REL <small>REVISIONS</small>

7100HDX2 (02007101HD) REV. REL