

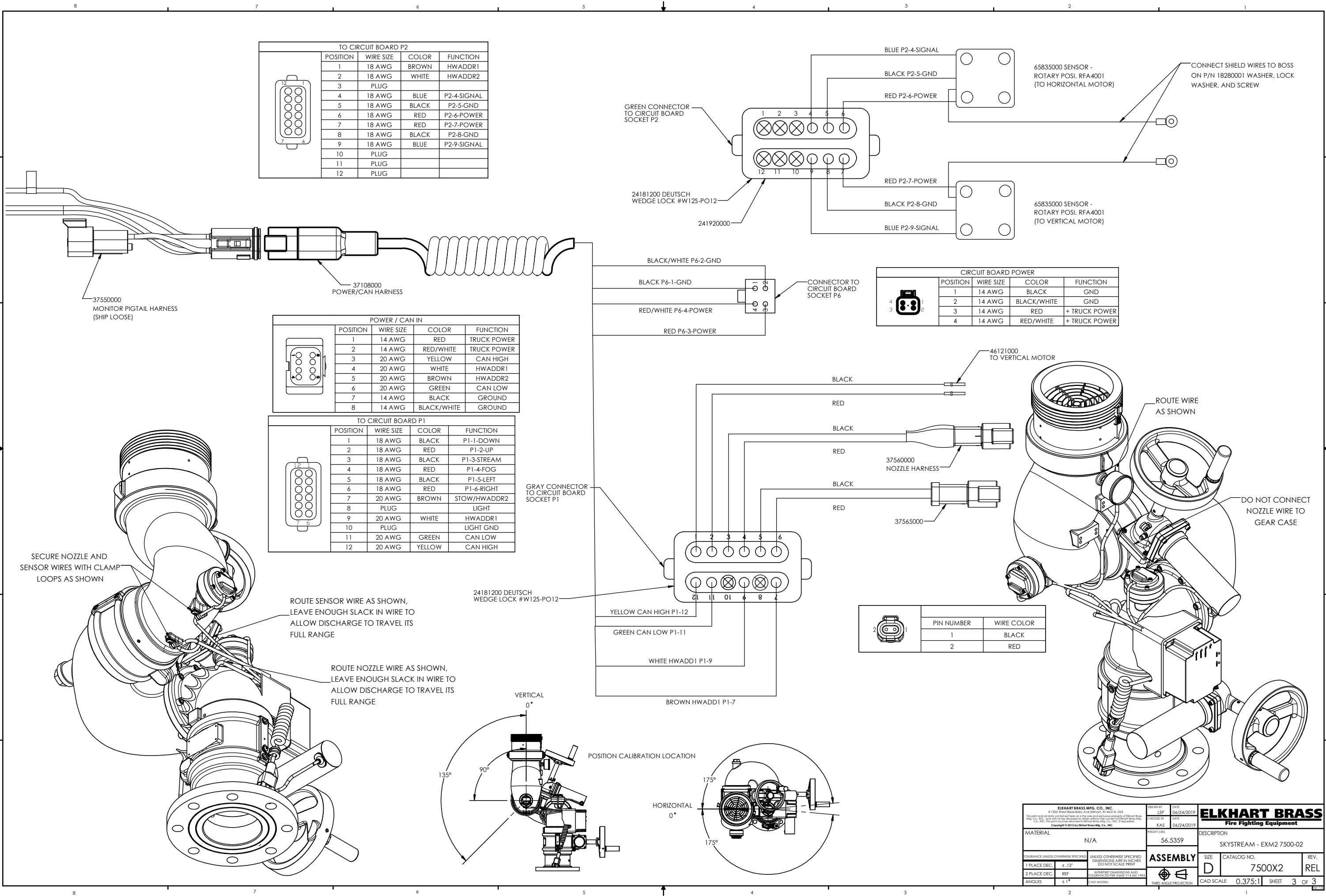
TO CIRCUIT BOARD P2				
POSITION	WIRE SIZE	COLOR	FUNCTION	
1	18 AWG	BROWN	HWADDR1	
2	18 AWG	WHITE	HWADDR2	
3	PLUG			
4	18 AWG	BLUE	P2-4-SIGNAL	
5	18 AWG	BLACK	P2-5-GND	
6	18 AWG	RED	P2-6-POWER	
7	18 AWG	RED	P2-7-POWER	
8	18 AWG	BLACK	P2-8-GND	
9	18 AWG	BLUE	P2-9-SIGNAL	
10	PLUG			
11	PLUG			
12	PLUG			

POWER / CAN IN				
POSITION	WIRE SIZE	COLOR	FUNCTION	
1	14 AWG	RED	TRUCK POWER	
2	14 AWG	RED/WHITE	TRUCK POWER	
3	20 AWG	YELLOW	CAN HIGH	
4	20 AWG	WHITE	HWADDR1	
5	20 AWG	BROWN	HWADDR2	
6	20 AWG	GREEN	CAN LOW	
7	14 AWG	BLACK	GROUND	
8	14 AWG	BLACK/WHITE	GROUND	

TO CIRCUIT BOARD P1				
POSITION	WIRE SIZE	COLOR	FUNCTION	
1	18 AWG	BLACK	P1-1-DOWN	
2	18 AWG	RED	P1-2-UP	
3	18 AWG	BLACK	P1-3-STREAM	
4	18 AWG	RED	P1-4-FOG	
5	18 AWG	BLACK	P1-5-LEFT	
6	18 AWG	RED	P1-6-RIGHT	
7	20 AWG	BROWN	STOW/HWADDR2	
8	PLUG		LIGHT	
9	20 AWG	WHITE	HWADDR1	
10	PLUG		LIGHT GND	
11	20 AWG	GREEN	CAN LOW	
12	20 AWG	YELLOW	CAN HIGH	

CIRCUIT BOARD POWER				
POSITION	WIRE SIZE	COLOR	FUNCTION	
1	14 AWG	BLACK	GND	
2	14 AWG	BLACK/WHITE	GND	
3	14 AWG	RED	+ TRUCK POWER	
4	14 AWG	RED/WHITE	+ TRUCK POWER	

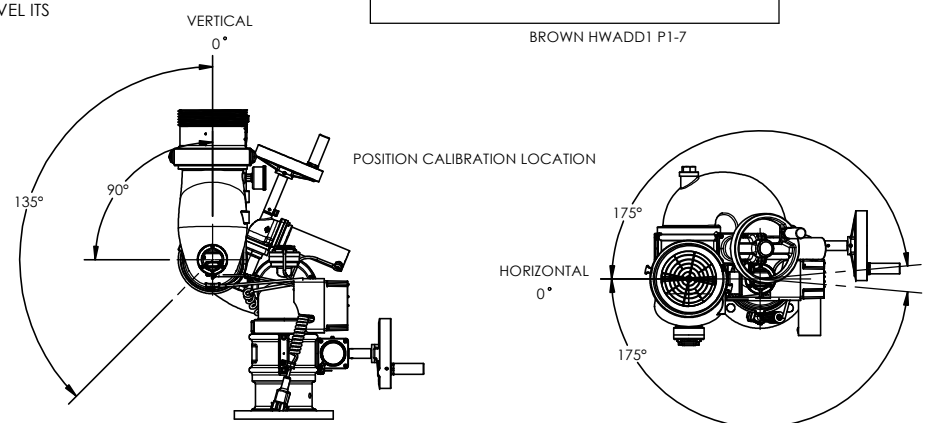
PIN NUMBER	WIRE COLOR
1	BLACK
2	RED



SECURE NOZZLE AND SENSOR WIRES WITH CLAMP LOOPS AS SHOWN

ROUTE SENSOR WIRE AS SHOWN, LEAVE ENOUGH SLACK IN WIRE TO ALLOW DISCHARGE TO TRAVEL ITS FULL RANGE

ROUTE NOZZLE WIRE AS SHOWN, LEAVE ENOUGH SLACK IN WIRE TO ALLOW DISCHARGE TO TRAVEL ITS FULL RANGE



<small>ELKHART BRASS MFG. CO., INC.</small> <small>1302 West Beardsley Ave. Elkhart, IN 46514, USA</small> <small>Copyright © 2012 by Elkhart Brass Mfg. Co., Inc.</small>		<small>DESIGNED BY</small> LSP <small>DATE</small> 05/24/2019 <small>CREATED BY</small> EAS <small>DATE</small> 06/24/2019	<b>ELKHART BRASS</b> <small>Fire Fighting Equipment</small>
<small>MATERIAL</small> N/A	<small>HEIGHT (MM)</small> 56.5359	<small>DESCRIPTION</small> SKYSTREAM - EXM2 7500-02	
<small>TOLERANCE UNLESS OTHERWISE SPECIFIED</small> <small>1 PLACE DEC.</small> ± .12" <small>2 PLACE DEC.</small> REF <small>ANGLES</small> ± 1°	<small>UNLESS OTHERWISE SPECIFIED DIMENSIONS ARE IN INCHES</small> <small>DO NOT SCALE PRINT</small> <small>INTERPRET DIMENSIONS AND TOLERANCES PER ASME Y14.5M 1994</small> <small>CAD MODEL</small>	<b>ASSEMBLY</b> <small>SIZE</small> D <small>CATALOG NO.</small> 7500X2 <small>CAD SCALE</small> 0.375:1	<small>REV.</small> REL <small>SHEET</small> 3 OF 3

02007503 REV. 1