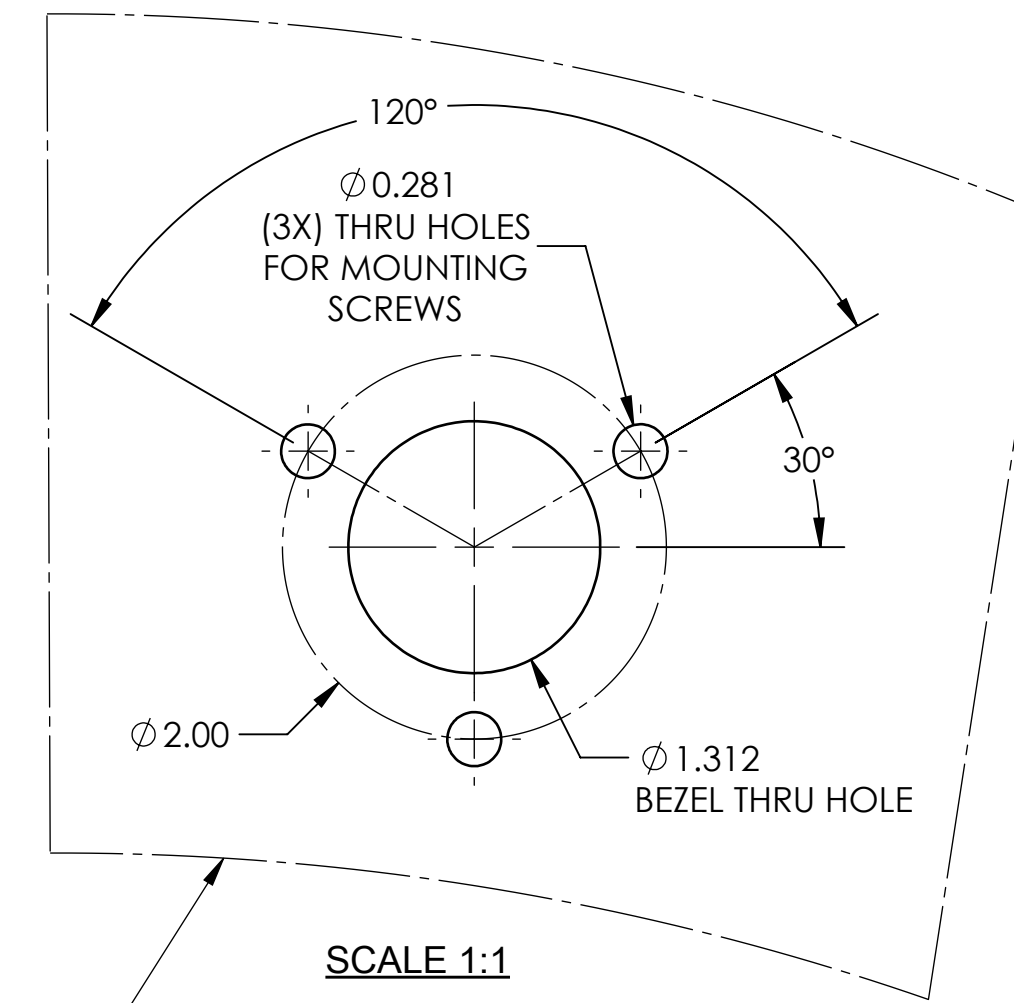
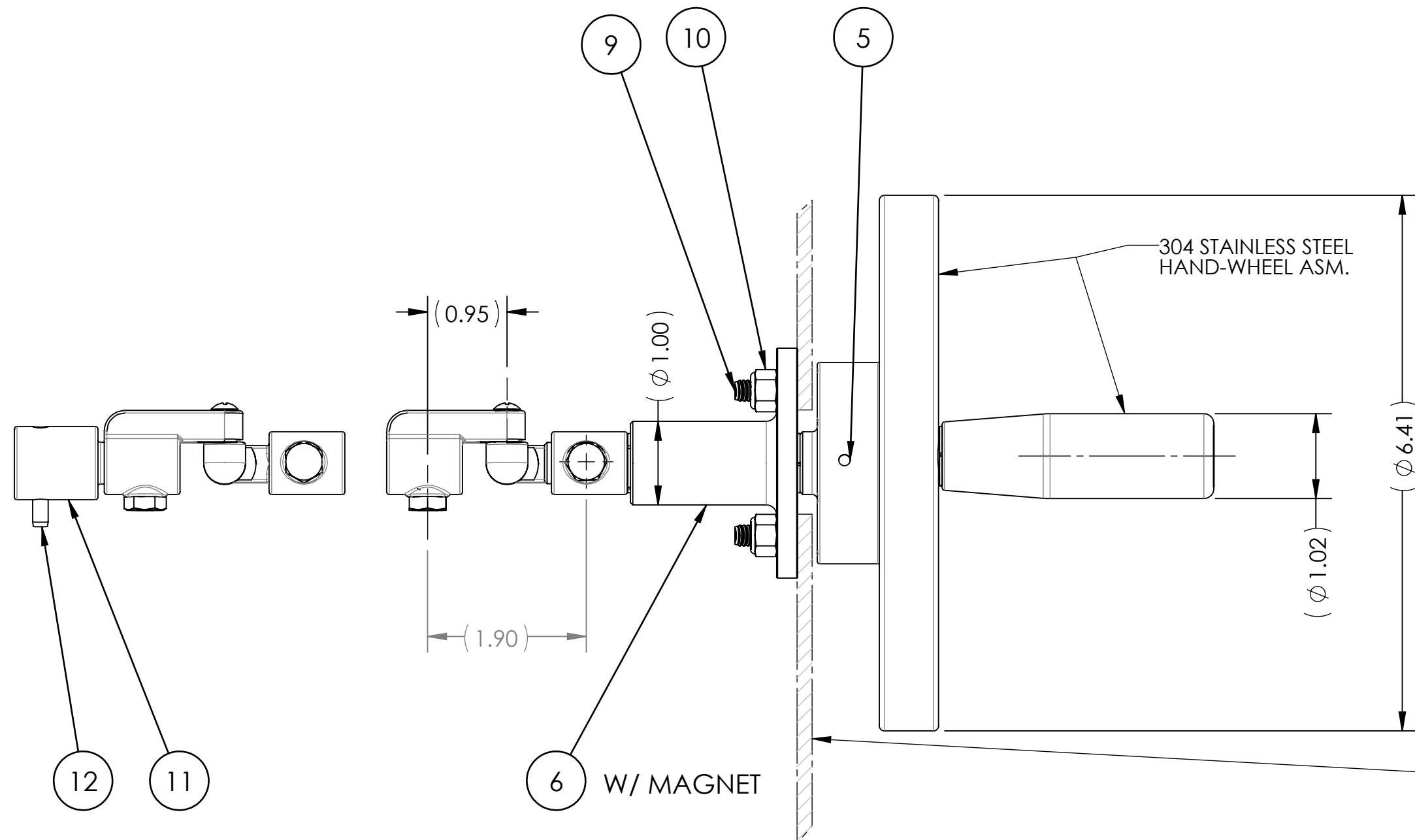
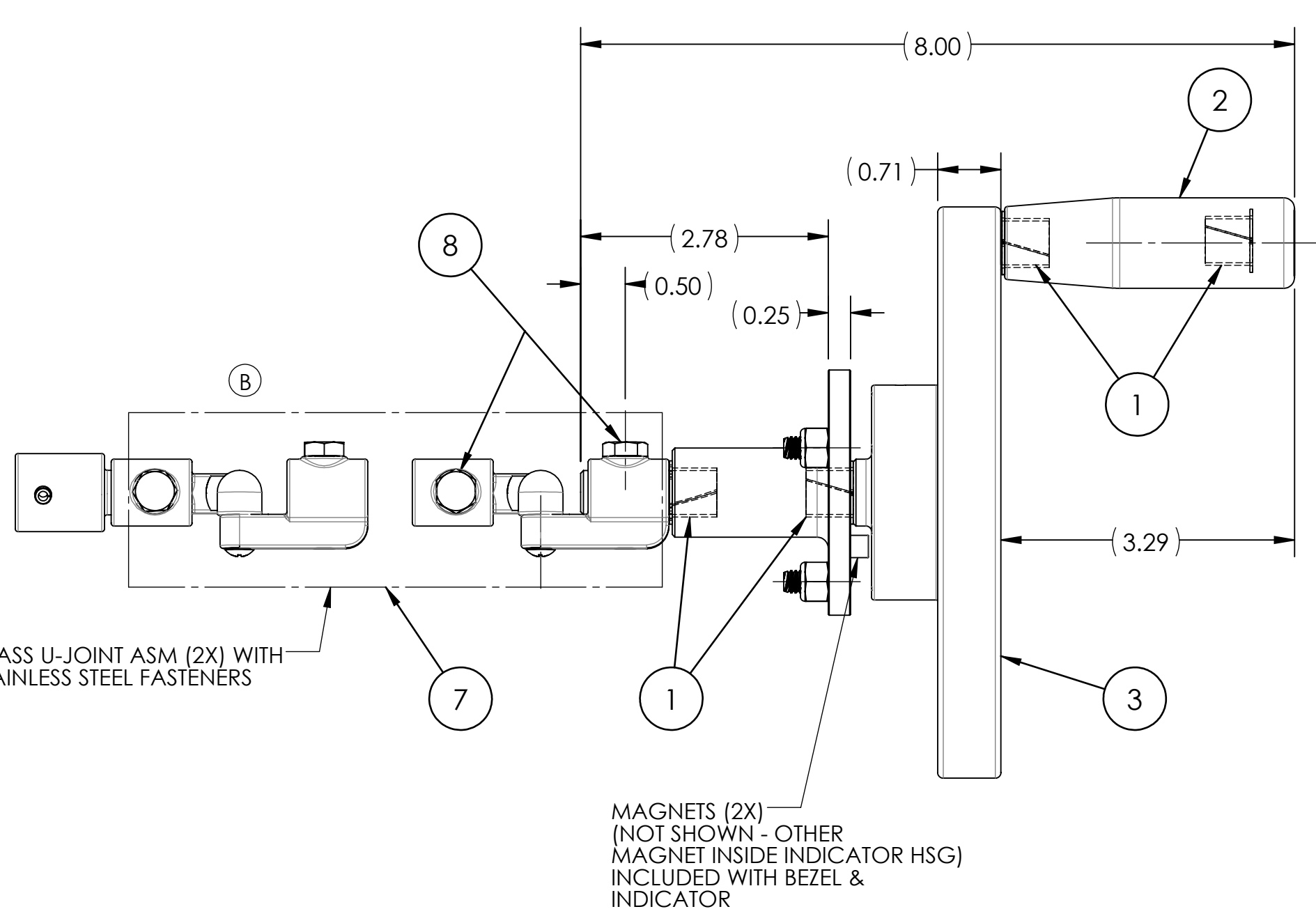
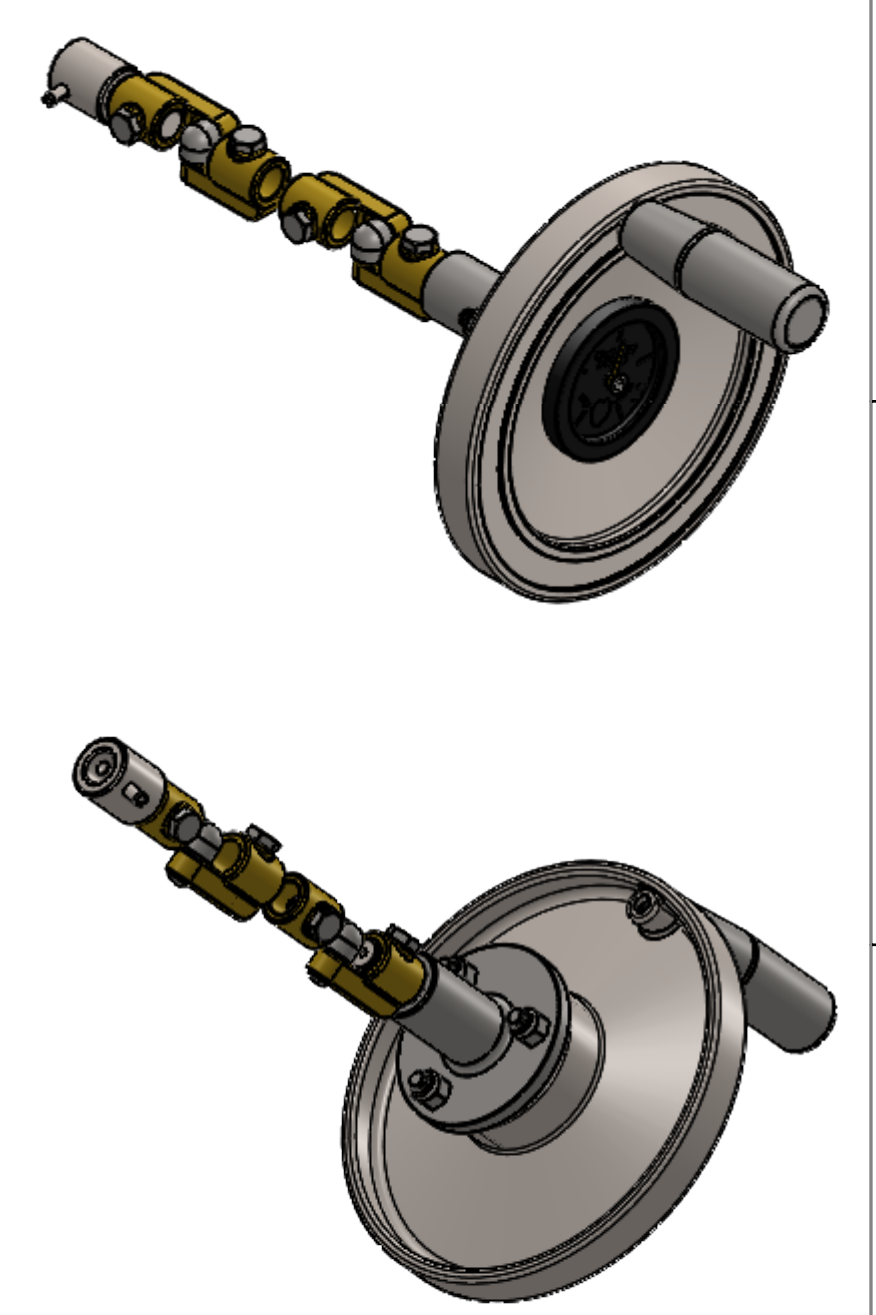


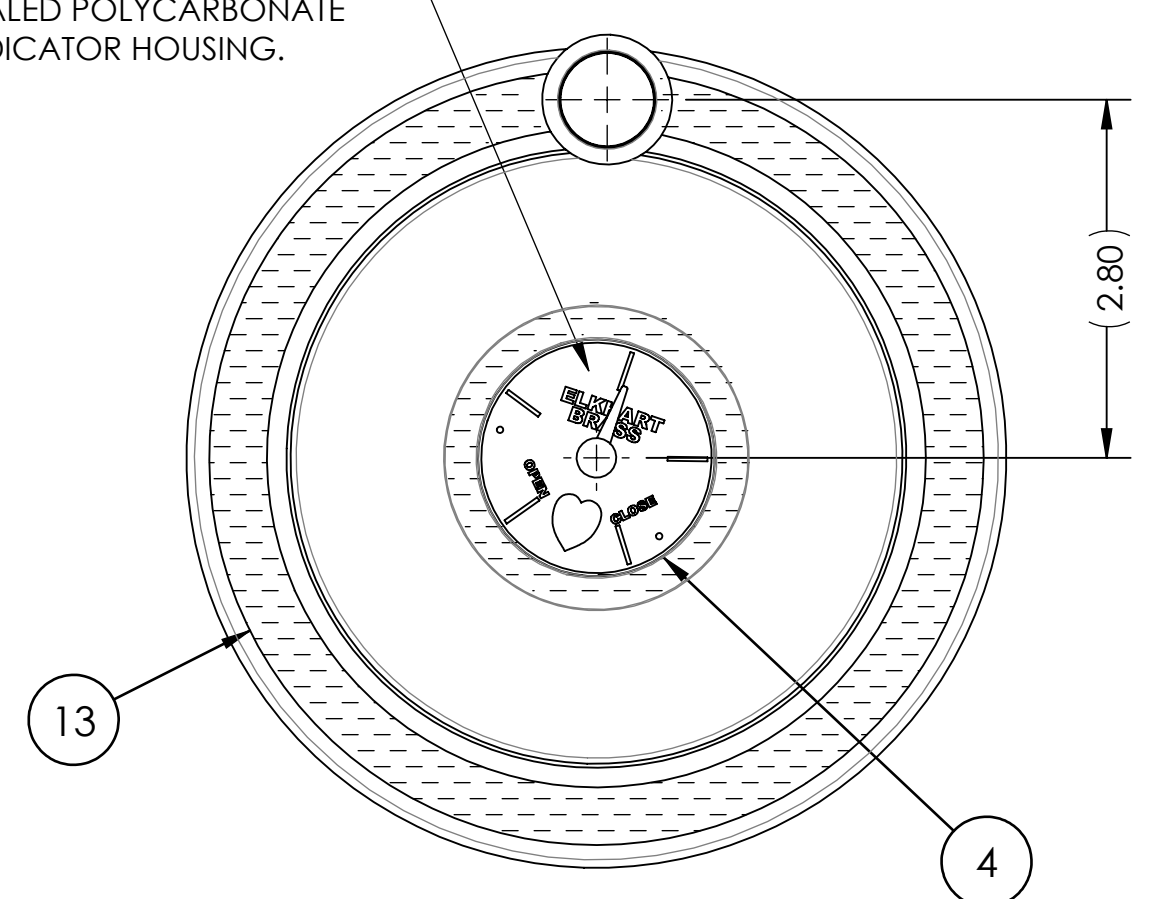
ZONE	REV.	DESCRIPTION	BY	ECNNUMBER
C8	B	UPDATE TO SHOW SECOND U-JOINT	LSP	210502



APPARATUS PANEL (NOT INCLUDED) SHOWING HOLE PATTERN FOR HANDWHEEL



DIAL FACE - SHOWN INSIDE SEALED POLYCARBONATE INDICATOR HOUSING.



ITEM NO.	PART NUMBER	DESCRIPTION	QTY.
NOT SHOWN	99554000	INSTALLATION GUIDE	1
13	81813101	BLACK LABEL	1
12	51236000	PIN ROLL 79-040-187-0.812	1
11	41043000	U-JOINT ADAPTER TRIDENT GWP	1
10	81811016	NUT, 1/4-20 SS LOCK	3
9	81811015	1/4-20 SS FLAT HD SCREW	3
8	81811018	1/4-20X1 SS SCREW	4
7	81811017	BRASS U-JOINT ASM	2
6	81811014	MOUNTING BEZEL	1
5	81811019	SET SCREW SS	1
4	81811013	INDICATOR DIAL	1
3	81813011	HAND WHEEL	1
2	81811501	SPINNER KNOB ASM	1
1	16681000	PLASTIC BUSHING	4

NOTES:

PURCHASE PART:
 TRIDENT EMERGENCY PRODUCTS, LLC
 #19.014.20 HANDWHEEL ASM. - LARGE WITH
 12:1 HANDLE ROTATIONS FOR FULL CLOSE TO FULL OPEN RELATIVE TO
 INDICATOR MARKS AT FULL CLOSE TO FULL OPEN.
 INCLUDES ELKHART BRASS LOGO ON DIAL FACE

ELKHART BRASS MFG. CO., INC. <small>#1302 West Beardsley Ave. Elkhart, IN 46514, USA This print and all data contained here on is the sole and exclusive property of Elkhart Brass Mfg. Co., Inc. and will not be disclosed to others without the consent of Elkhart Brass Mfg. Co., Inc. This print must be returned to Elkhart Brass Mfg. Co., Inc. if requested. Copyright © 2012 by Elkhart Brass Mfg. Co., Inc.</small>	
MATERIAL	PURCHASE ASSEMBLY
TOLERANCE UNLESS OTHERWISE SPECIFIED	UNLESS OTHERWISE SPECIFIED DIMENSIONS ARE IN INCHES DO NOT SCALE PRINT
1 PLACE DEC. ± .12"	
2 PLACE DEC. REF	INTERPRET DIMENSIONS AND TOLERANCES PER ASME Y14.5M 1994
ANGLES ± 1°	CAD MODEL: 81813000

DRAWN BY PJV	DATE 11/24/2015	ELKHART BRASS Fire Fighting Equipment	
CHECKED BY	DATE 12/1/15		
WEIGHT(LBS) 4.7		DESCRIPTION 6.0" HAND-WHEEL ASM - INDICATOR-STAINLESS	
ASSEMBLY 		SIZE C	CATALOG NO. GWP-6
		REV. B	
CAD SCALE 2:3		SHEET 1	OF 1

GWP-6 (81813000) REV. B