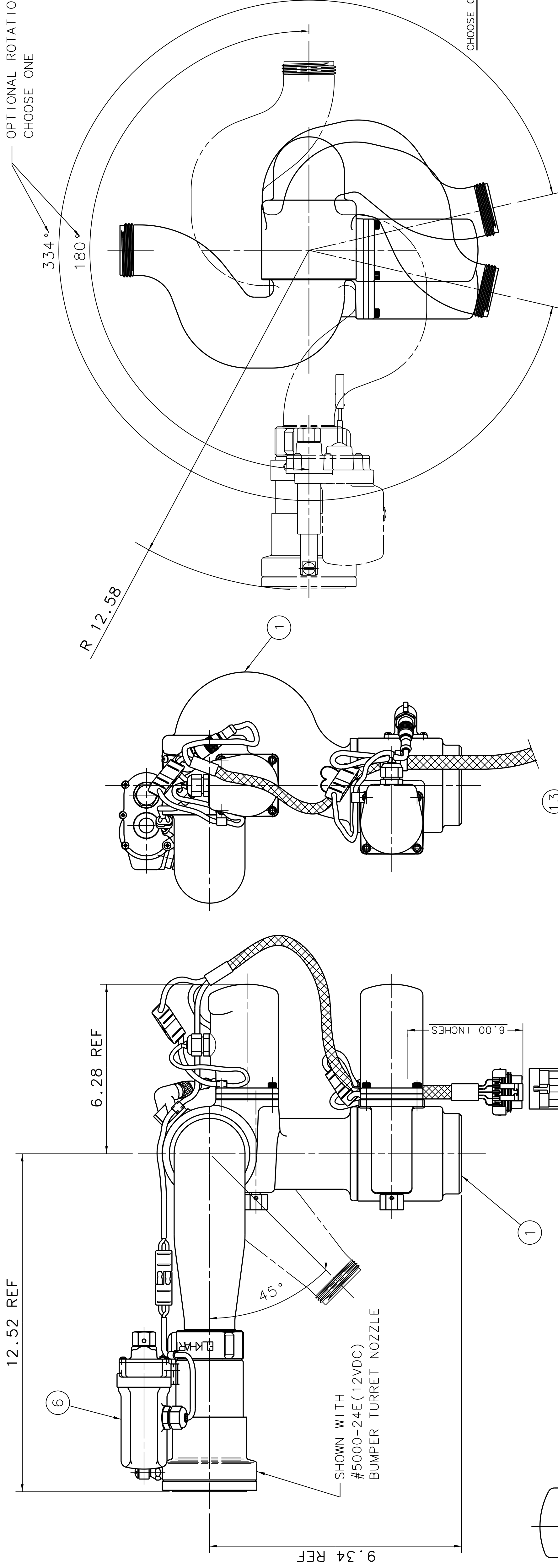


OPTIONAL ROTATION LIMITS
CHOOSE ONE



OPTIONAL HARNESS EXTENSIONS
(CHOOSE ONE)

| | | | |
|----|----------|--|---|
| 13 | 36791000 | MONITOR HARNESS EXTENSION 30 FT (OPTIONAL HARNESS EXTENSION) | 1 |
| 13 | 36791100 | MONITOR HARNESS EXTENSION 1 FT (OPTIONAL HARNESS EXTENSION) | 1 |
| 13 | 36791200 | MONITOR HARNESS EXTENSION 5 FT (OPTIONAL HARNESS EXTENSION) | 1 |

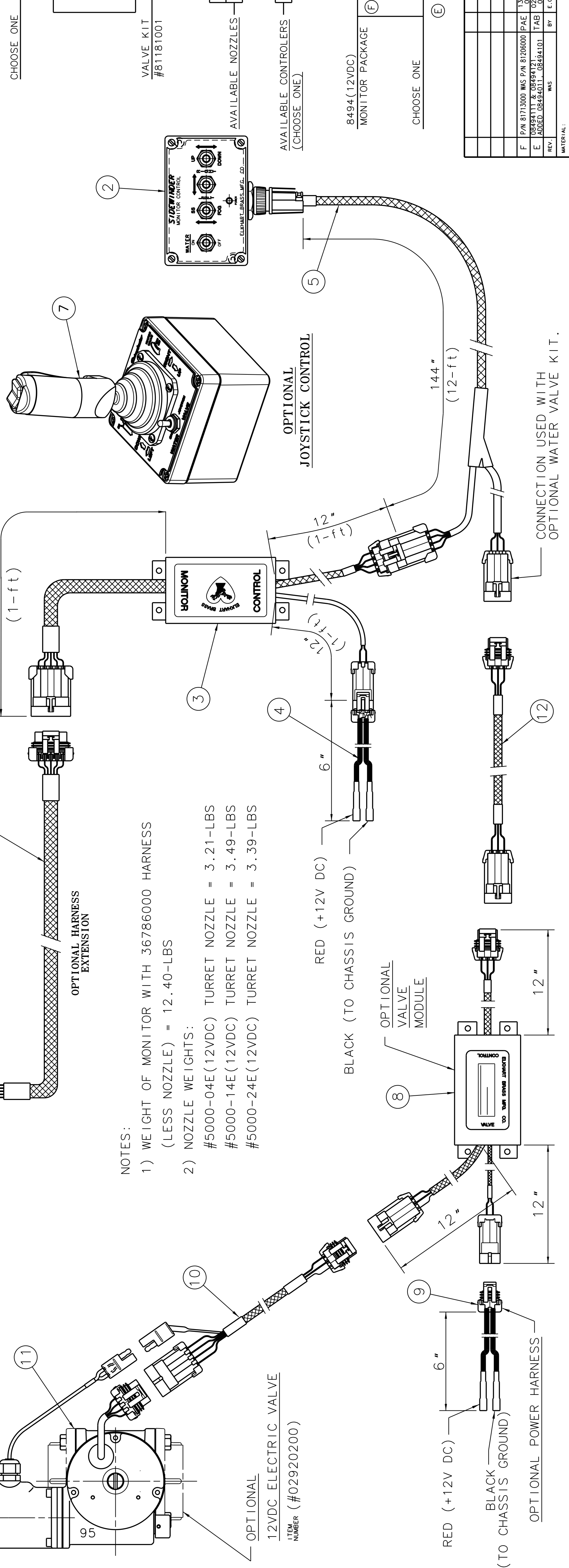
OPTIONAL INTERMEDIATE HARNESS BETWEEN CONTROL HARNESS AND WATER VALVE MODULE

| | | | |
|----|----------|--|---|
| 12 | 36779800 | HARNESS-INTERMEDIATE 10 FT (28-11) (CONTROL HARNESS - VALVE MODULE) | 1 |
| 12 | 36779500 | HARNESS-INTERMEDIATE 120 IN (30-11) (CONTROL HARNESS - VALVE MODULE) | 1 |
| 12 | 36779400 | HARNESS-INTERMEDIATE 60 IN (15-11) (CONTROL HARNESS - VALVE MODULE) | 1 |
| 12 | 36779300 | HARNESS-INTERMEDIATE 36 IN (9-11) (CONTROL HARNESS - VALVE MODULE) | 1 |
| 12 | 36779200 | HARNESS-INTERMEDIATE 36 IN (9-11) (CONTROL HARNESS - VALVE MODULE) | 1 |
| 12 | 36779100 | HARNESS-INTERMEDIATE 36 IN (9-11) (CONTROL HARNESS - VALVE MODULE) | 1 |

OPTIONAL 12VDC WATER VALVE KIT

| | | | |
|----|----------|--|---|
| 11 | 02920200 | 2820-01-01 12VDC ELECTRIC VALVE WITH PAST (19.7-1) MOTOR | 1 |
| 9 | 36792000 | HARNESS-POWER | 1 |
| 8 | 81196000 | ELECTRIC VALVE CONTROL MODULE | 1 |

- NOTES:
- 1) WEIGHT OF MONITOR WITH 36786000 HARNESS (LESS NOZZLE) = 12.40-LBS
 - 2) NOZZLE WEIGHTS:
 #5000-04E(12VDC) TURRET NOZZLE = 3.21-LBS
 #5000-14E(12VDC) TURRET NOZZLE = 3.49-LBS
 #5000-24E(12VDC) TURRET NOZZLE = 3.39-LBS



ELKHART BRASS MFG. CO., INC.
ELKHART, INDIANA

ELECTRICALLY OPERATED REMOTE CONTROLLED
Schematics MONITOR & NOZZLE SYSTEM LAYOUT

REV. 0004 08/08/01
REV. 0005 08/08/01

DESIGNED BY: R. HANDS
DRAWN BY: R. HANDS

DATE: 4/6/1995

SCALE: HALF

CAT. NO.: 8494010(12VDC)

QTY: D

STANDARD TOLERANCE:
 DIMENSIONS: ±.005
 Holes: ±.010
 ANGLES: ±.010

MATERIAL: REMOVE ALL BURS AND SHARP CORNERS
 PLACE DEC. ±.005
 ANGLE ±.010