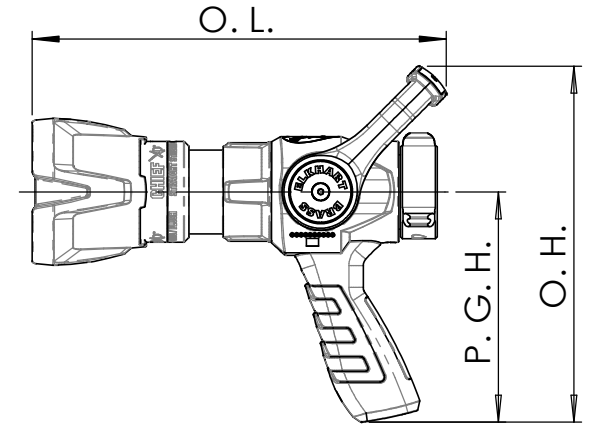
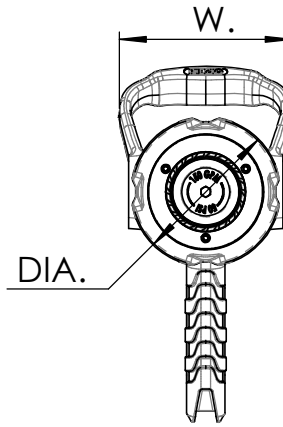


**TIP**



**NOZZLE**

**CHIEF XD DIMENSIONAL TABLE**

FLOW RATE (GPM @ PSI)	TYPE	BASE	(IN INCHES)							WEIGHT (LBS.)	
			BASE SIZE	OVERALL LENGTH (O. L.)		BUMPER DIA. (DIA.)	BALE HANDLE WIDTH (W.)	PISTOL GRIP HEIGHT (P. G. H.)	OVERALL HEIGHT (O. H.)	NO PISTOL GRIP	PISTOL GRIP
				MAX (S.S.)	MIN (FLUSH)						
15 @ 100 30 @ 100 45 @ 100 60 @ 100	NOZZLE	FREE SWIVEL	1.0	9.65	9.06	3.12	4.29	5.76	9.17	2.9	3.4
60 @ 100 75 @ 100 95 @ 100 125 @ 75 125 @ 100 150 @ 100	NOZZLE	FREE SWIVEL	1.5	10.06	9.26	3.89	4.29	5.76	9.17	3.6	4.1
95 @ 100 125 @ 75 125 @ 100 150 @ 50 150 @ 75	TIP	RIGID	1.5	6.33	5.53	3.89	N/A	N/A	N/A	2.3	N/A
150 @ 100 175 @ 75 175 @ 100	NOZZLE	FREE SWIVEL	1.5	10.79	9.99	3.89	4.50	5.99	9.27	4.5	5.0

SEE PAGE 2 FOR ADDITIONAL INFORMATION



## CHIEF XD DIMENSIONAL TABLE

FLOW RATE (GPM @ PSI)	TYPE	BASE	(IN INCHES)							WEIGHT (LBS.)	
			BASE SIZE	OVERALL LENGTH (O. L.)		BUMPER DIA. (DIA.)	BALE HANDLE WIDTH (W.)	PISTOL GRIP HEIGHT (P. G. H.)	OVERALL HEIGHT (O. H.)	NO PISTOL GRIP	PISTOL GRIP
				MAX (S.S.)	MIN (FLUSH)						
160 @ 50 175 @ 50 185 @ 75 200 @ 75	TIP	RIGID	1.5	6.37	5.51	3.89	N/A	N/A	N/A	2.2	N/A
	NOZZLE	FREE SWIVEL	1.5	10.84	9.98	3.89	4.5	5.99	9.27	4.3	4.8
185 @ 50 210 @ 50 250 @ 50 250 @ 75 250 @ 100 265 @ 50 300 @ 75	TIP	RIGID	1.5	6.83	5.82	4.43	N/A	N/A	N/A	3.2	N/A
	NOZZLE	FREE SWIVEL	1.5	11.26	10.25	4.43	4.5	5.99	9.27	5.3	5.8
	NOZZLE	FREE SWIVEL	2.5	13.15	12.15	4.43	4.5	5.99	9.27	6.0	6.5



THIS DRAWING CONTAINS INFORMATION THAT IS PROPRIETARY TO ELKHART BRASS MFG CO., INC. AND MAY NOT BE USED TO PRODUCE ANY PARTS, ASSEMBLIES OR PRODUCTS DESCRIBED HEREIN WITHOUT EXPRESS WRITTEN PERMISSION

CHIEF XD TIP & NOZZLE - DIMENSIONAL  
PAGE 2 OF 2  
09/15/2021

DIMENSIONAL  
TABLE