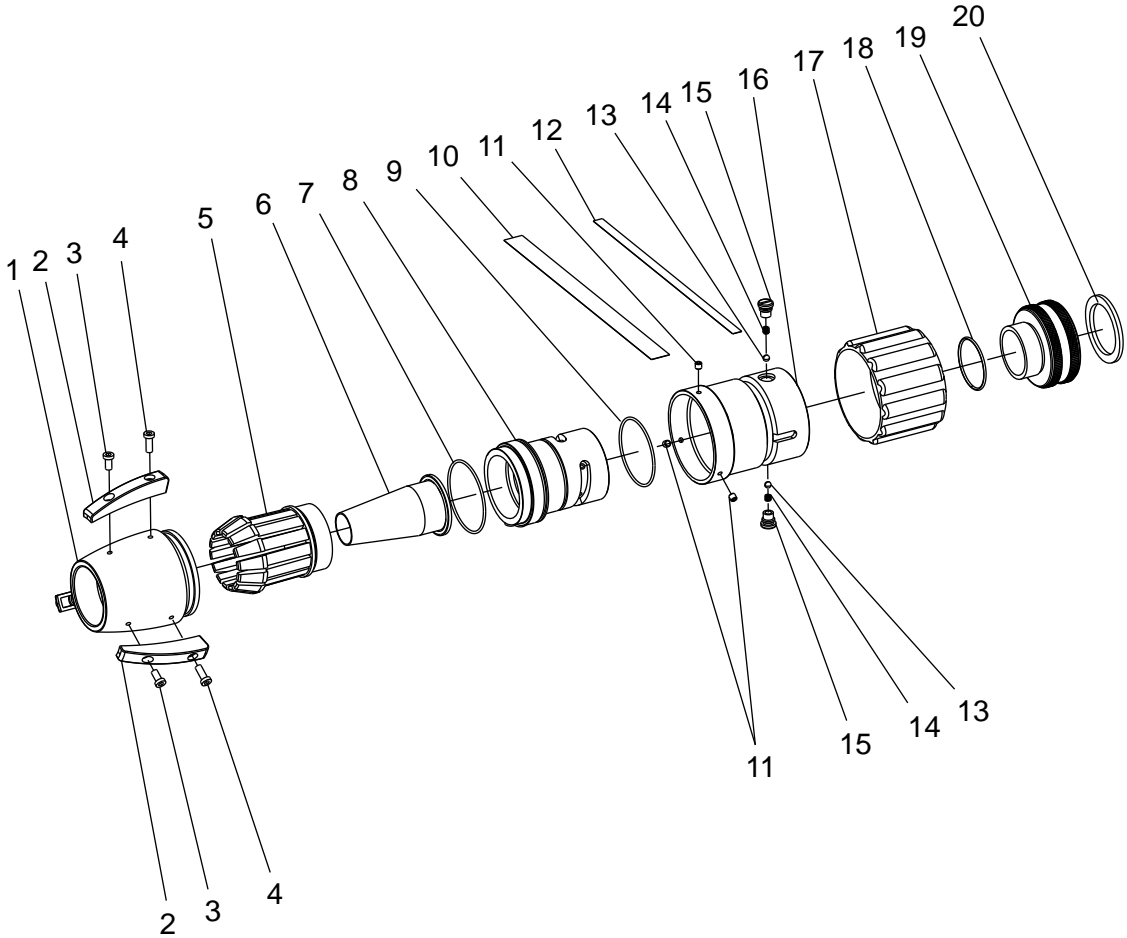



**FLEX ATTACK TIP  
(TFLX-20)**

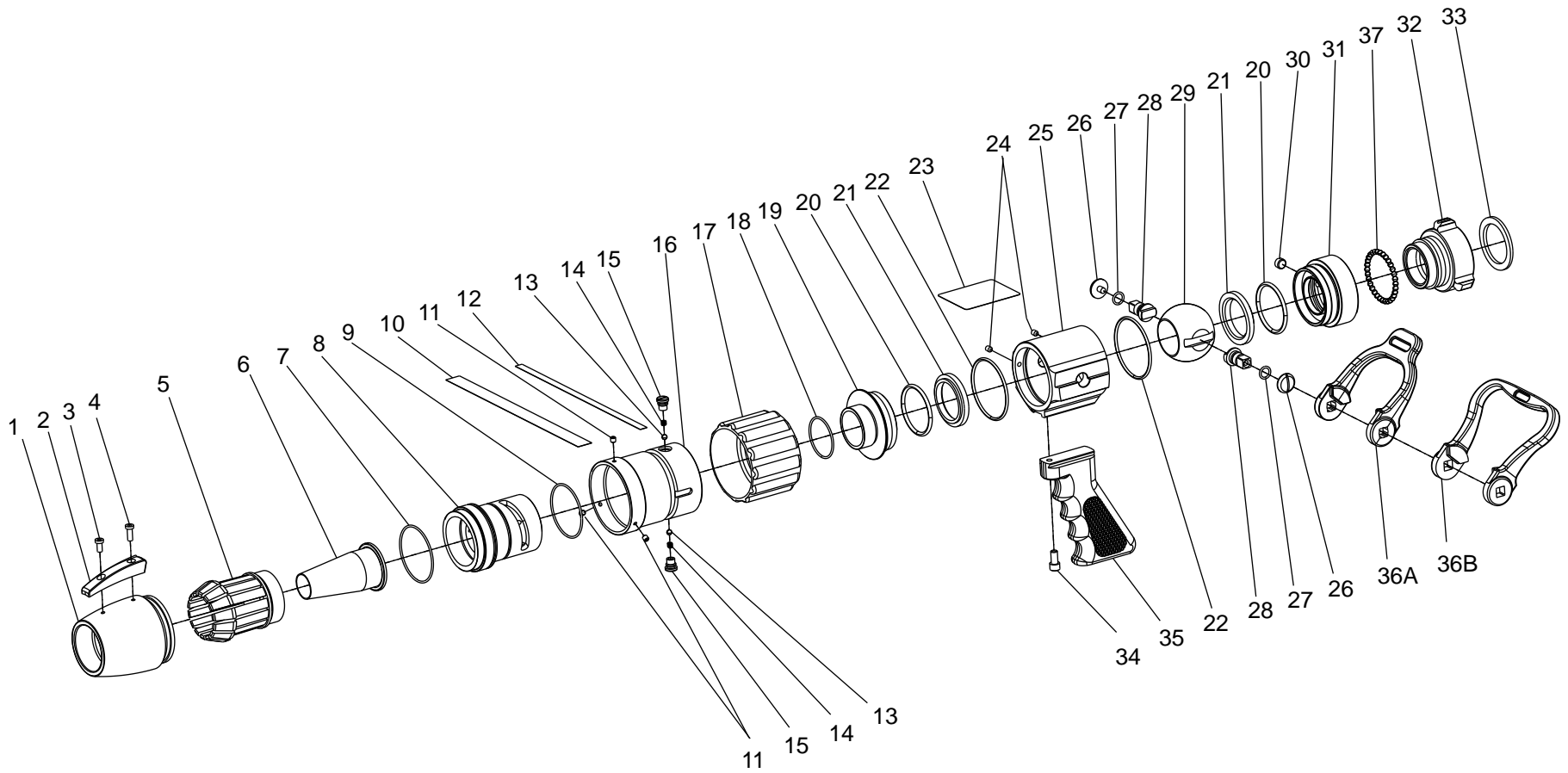



 <b>ELKHART BRASS MFG. CO., INC.</b> ELKHART, INDIANA	
<small>THIS DRAWING CONTAINS INFORMATION THAT IS PROPRIETARY TO ELKHART BRASS MFG. CO., INC. AND MAY NOT BE USED TO PRODUCE ANY PARTS, ASSEMBLIES OR PRODUCTS DESCRIBED HEREIN WITHOUT EXPRESS WRITTEN PERMISSION.</small>	
FLEX ATTACK PAGE 1 OF 4 03/2010	PART DRAWING

**FLEX ATTACK TIP  
(TFLX-20)**

<b>INDEX #</b>	<b>PART #</b>	<b>QTY</b>	<b>DESCRIPTION</b>
1	66424301	1	Tip - Nozzle
2	39004000	3	Indicator Lug
3	64118000	3	Cap Screw
4	64117000	3	Cap Screw
5	18114000	1	Adjustable Center Barrel
6	18461000	1	Compressible Bore
7	57488000	1	O-Ring
8	17188001	1	Body - Nozzle
9	57422000	1	O-Ring
10	44637000	1	Label - Reflective Pk
11	63699000	3	Screw - Set
12	44581000	1	Label - Discharge Identification
12	44581010	1	Label - Discharge Identification Inch
12	44581020	1	Label - Discharge Identification Metric
13	15018000	2	Ball - .187 Dia S/S
14	65706000	2	Spring - Coil
15	65067001	2	Screw - Detent
16	66425001	1	Tip - Base
17	16592000	1	Bumper Sleeve - Black
18	57482000	1	O-Ring
19	15449001	1	Base (1.5" NHT Rigid)
20	33074000	1	Gasket - Rubber


**FLEX ATTACK NOZZLE  
(FLX-20G)**



 <b>ELKHART BRASS MFG. CO., INC.</b> ELKHART, INDIANA	
<small>THIS DRAWING CONTAINS INFORMATION THAT IS PROPRIETARY TO ELKHART BRASS MFG. CO., INC. AND MAY NOT BE USED TO PRODUCE ANY PARTS, ASSEMBLIES OR PRODUCTS DESCRIBED HEREIN WITHOUT EXPRESS WRITTEN PERMISSION.</small>	
FLEX ATTACK PAGE 3 OF 4 04/2008	PART DRAWING

**FLEX ATTACK NOZZLE  
(FLX-20G)**

<b>INDEX #</b>	<b>PART #</b>	<b>QTY</b>	<b>DESCRIPTION</b>
1	66424001	1	Tip - Nozzle
2	39004000	1	Indicator Lug
3	64118000	1	Cap Screw
4	64117000	1	Cap Screw
5	18114000	1	Adjustable Center Barrel
6	18461000	1	Compressible Bore
7	57488000	1	O-Ring
8	17188001	1	Body - Nozzle
9	57422000	1	O-Ring
10	44582000	1	Label - Reflective Pk
11	63699000	3	Screw - Set
12	44581000	1	Label - Discharge Identification
13	15018000	2	Ball -.187 Dia S/S
14	65706000	2	Spring - Coil
15	65067001	2	Screw - Detent
16	66425001	1	Tip - Base
17	16592000	1	Bumper Sleeve - Black
18	57482000	1	O-Ring
19	11636001	1	Adapter - Base
20	57309000	2	O-Ring
21	63863000	2	Seat - 1.375
22	57324000	2	O-Ring
23	44580000	1	Label - Open & Close
24	61269000	2	Set Screw
25	17748001	1	Body - Shut-Off
26	61286000	2	Screw - Actuator Shaft S/S
27	57298000	2	O-Ring
28	65305000	2	Shaft - Actuator D/D
29	17326001	1	1.375 Dbl Slot Valve Ball Al
30	63688000	1	Set Screw
31	11625001	1	Adapter - Base (1.5" NHT Free Swivel)
32	16765001	1	Base - Swivel Pistol Grip (1.5" NHT Free Swivel)
33	33074000	1	Gasket - Rubber (1.5" NHT Free Swivel)
34	61040000	1	Cap Screw
35	33781001	1	Pistol Grip - Elk-O-Lite (STD)
36A	36279000	1	Tab Handle - Chrome (STD)
36B	36684000	1	Horseshoe Handle - Chrome (STD)
37	15018000	32	Ball -.187 Dia S/S

	ELKHART BRASS MFG. CO., INC. ELKHART, INDIANA
<small>THIS DRAWING CONTAINS INFORMATION THAT IS PROPRIETARY TO ELKHART BRASS MFG. CO., INC. AND MAY NOT BE USED TO PRODUCE ANY PARTS, ASSEMBLIES OR PRODUCTS DESCRIBED HEREIN WITHOUT EXPRESS WRITTEN PERMISSION.</small>	
FLEX ATTACK PAGE 4 OF 4 04/2008	PART LIST