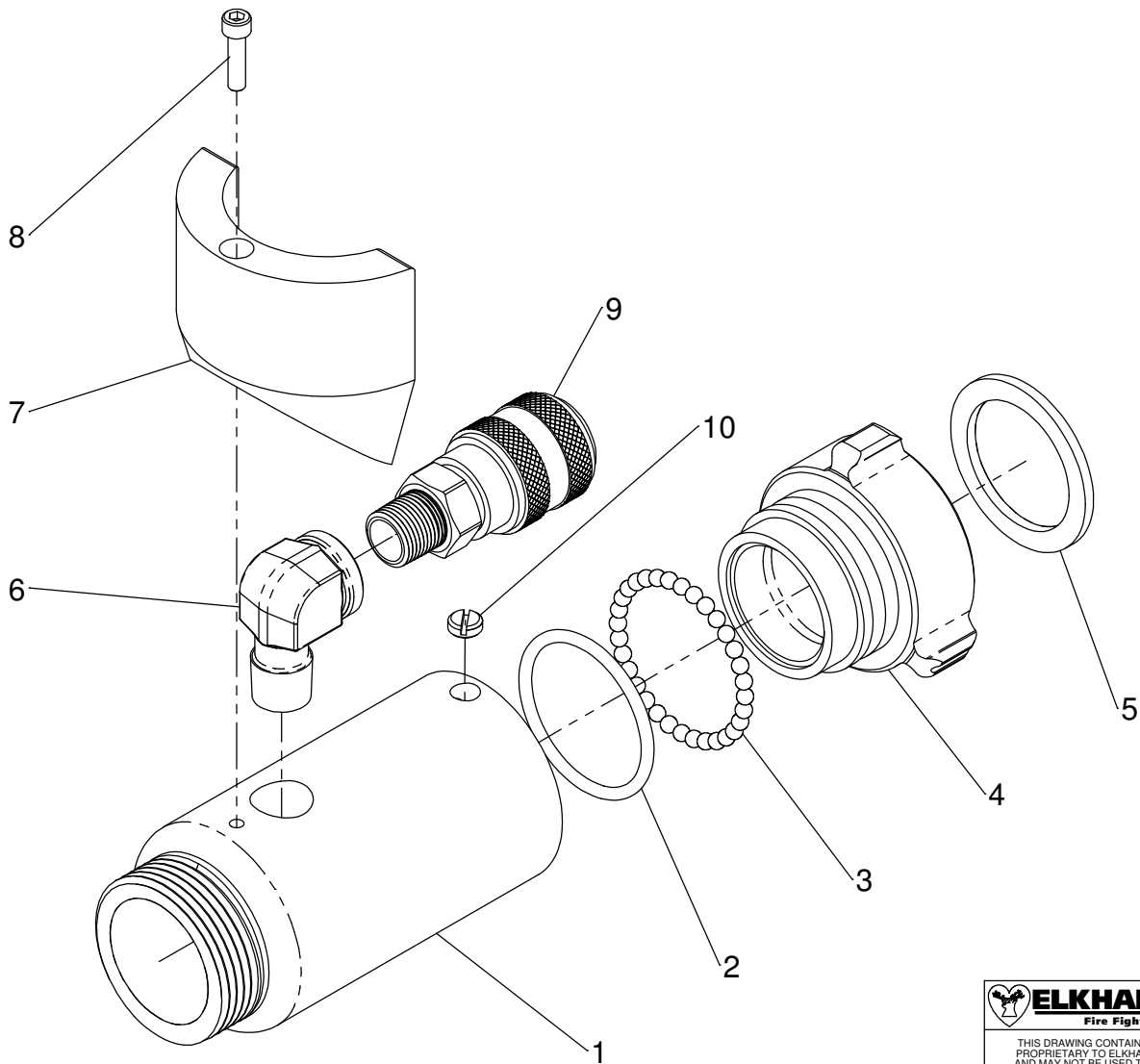


ITEM NO.	PART NUMBER	DESCRIPTION	QTY.
1	18275007	BODY - OH ADAPTER	1
2	57309000	O RING AS-568-224 1.734 X.139	1
3	15018000	0.187 STAINLESS STEEL BALL	32
4	16765007	1.5 F/S BASE FOR 1.375 DIA WW SHUTOFFS	1
5	33074000	GASKET-RUBBER 2.062X1.562X.125TH	1
6	28183000	ELBOW - 3/8 NPT M X 3/8 NPT F	1
7	24654007	COVER - OH ADAPTER	1
8	64072000	SCREW 10-32X0.750 SOC CAP SS	1
9	24309000	COUPLING - 3/8 QC (SOCKET) W/ SHUTOFF	1
10	63674000	SCREW-SET (SLOTTED) NYLON 3/8-24 X 0.156-LG	1



ELKHART BRASS
Fire Fighting Equipment

THIS DRAWING CONTAINS INFORMATION THAT IS
PROPRIETARY TO ELKHART BRASS MFG CO., INC.
AND MAY NOT BE USED TO PRODUCE ANY PARTS,
ASSEMBLIES OR PRODUCTS DESCRIBED HEREIN
WITHOUT EXPRESS WRITTEN PERMISSION

229-A - PARTS DWG
PAGE 1 OF 1

229-A PARTS
DRAWING