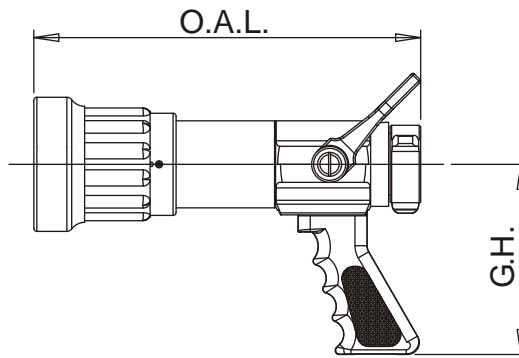
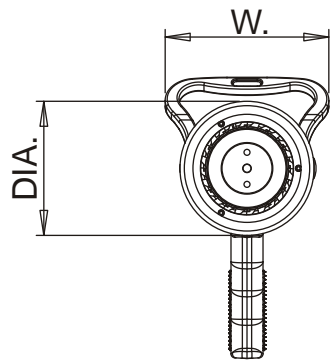
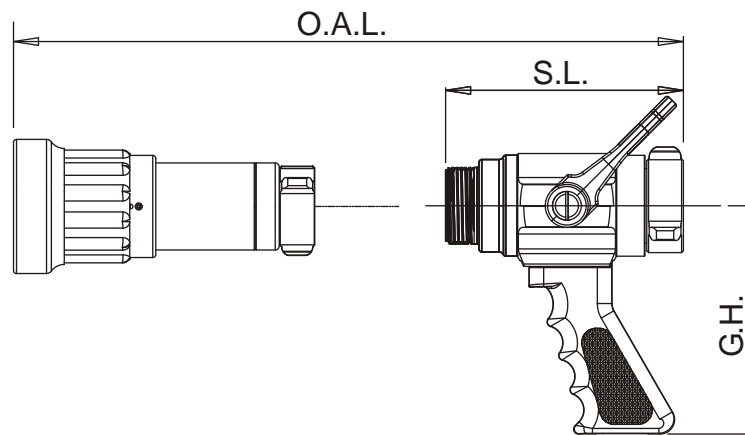
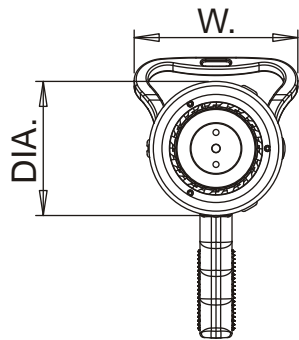


TIP



NOZZLE



BREAK-APART

|  |   |  |
|--|---|--|
|  | ELKHART BRASS MFG. CO., INC.<br>ELKHART, INDIANA  |  |
|  | THIS DRAWING CONTAINS INFORMATION THAT IS PROPRIETARY TO ELKHART BRASS MFG. CO., INC. AND MAY NOT BE USED TO PRODUCE ANY PARTS, ASSEMBLIES OR PRODUCTS DESCRIBED HEREIN WITHOUT EXPRESS WRITTEN PERMISSION. |  |
| SELECT-O-MATIC<br>PAGE 1 OF 4<br>01/2008 | DIMENSIONAL<br>DRAWING  |  |

| SELECT-O-MATIC DIMENSIONAL TABLE |           |             |             |            |           |       |            |            |           |                    |                        |               |
|----------------------------------|-----------|-------------|-------------|------------|-----------|-------|------------|------------|-----------|--------------------|------------------------|---------------|
| (In Inches)                      |           |             |             |            |           |       |            |            |           |                    |                        |               |
| MODEL                            | BASE SIZE | BASE        | TYPE        | LENGTH     |           |       | WIDTH (W.) |            |           | GRIP HEIGHT (G.H.) | SHUT-OFF LENGTH (S.L.) | WEIGHT (LBS.) |
|                                  |           |             |             | MAX (S.S.) | MIN (FOG) | DIA.  | TAB        | HORSE SHOE | PLAY PIPE |                    |                        |               |
| SM-3F                            | 1.00      | RIGID       | NOZZLE      | 9.313      | 8.938     | 3.375 | 3.750      | 5.125      |           |                    |                        | 4.00          |
| SM-3F                            | 1.00      | FREE SWIVEL | NOZZLE      | 10.125     | 9.750     | 3.375 | 3.750      | 5.125      |           |                    |                        | 4.02          |
| SM-3FG                           | 1.00      | RIGID       | NOZZLE      | 9.313      | 8.938     | 3.375 | 3.750      | 5.125      |           | 5.688              |                        | 4.40          |
| SM-3FG                           | 1.00      | FREE SWIVEL | NOZZLE      | 10.125     | 9.750     | 3.375 | 3.750      | 5.125      |           | 5.688              |                        | 4.60          |
| TSM-3F                           | 1.00      | SWIVEL      | TIP         | 8.188      | 7.813     | 3.375 |            |            |           |                    |                        | 2.72          |
| SM-10F                           | 1.50      | RIGID       | NOZZLE      | 10.063     | 9.438     | 3.750 | 3.750      | 5.125      |           |                    |                        | 4.31          |
| SM-10F                           | 1.50      | SWIVEL      | NOZZLE      | 10.313     | 9.688     | 3.750 | 3.750      | 5.125      |           |                    |                        | 4.54          |
| SM-10F                           | 1.50      | FREE SWIVEL | NOZZLE      | 10.438     | 9.813     | 3.750 | 3.750      | 5.125      |           |                    |                        | 4.35          |
| SM-10FG                          | 1.50      | RIGID       | NOZZLE      | 10.063     | 9.438     | 3.750 | 3.750      | 5.125      |           | 5.688              |                        | 4.57          |
| SM-10FG                          | 1.50      | SWIVEL      | NOZZLE      | 10.313     | 9.688     | 3.750 | 3.750      | 5.125      |           | 5.688              |                        | 4.80          |
| SM-10FG                          | 1.50      | FREE SWIVEL | NOZZLE      | 10.438     | 9.813     | 3.750 | 3.750      | 5.125      |           | 5.688              |                        | 4.62          |
| SM-10FB                          | 1.50      | RIGID       | NOZZLE      | 10.063     | 9.500     | 3.750 | 3.750      | 5.125      |           |                    |                        | 8.02          |
| SM-10FB                          | 1.50      | SWIVEL      | NOZZLE      | 10.375     | 9.813     | 3.750 | 3.750      | 5.125      |           |                    |                        | 8.25          |
| SM-10FB                          | 1.50      | FREE SWIVEL | NOZZLE      | 10.563     | 10.000    | 3.750 | 3.750      | 5.125      |           |                    |                        | 8.07          |
| TSM-10F                          | 1.50      | RIGID       | TIP         | 8.250      | 7.625     | 3.750 |            |            |           |                    |                        | 3.00          |
| TSM-10F                          | 1.50      | SWIVEL      | TIP         | 8.500      | 7.875     | 3.750 |            |            |           |                    |                        | 3.05          |
| STSM-10F                         | 1.50      | RIGID       | BREAK-APART | 12.688     | 12.063    | 3.750 | 3.750      | 5.125      |           |                    | 4.188                  | 4.87          |
| STSM-10F                         | 1.50      | SWIVEL      | BREAK-APART | 12.938     | 12.313    | 3.750 | 3.750      | 5.125      |           |                    | 4.438                  | 5.10          |
| STSM-10F                         | 1.50      | FREE SWIVEL | BREAK-APART | 13.063     | 12.438    | 3.750 | 3.750      | 5.125      |           |                    | 4.563                  | 4.91          |
| SM-20FLP                         | 1.50      | RIGID       | NOZZLE      | 11.375     | 11.250    | 3.750 | 4.250      | 5.125      |           |                    |                        | 4.79          |
| SM-20FLP                         | 1.50      | SWIVEL      | NOZZLE      | 11.500     | 11.000    | 3.750 | 4.250      | 5.125      |           |                    |                        | 5.02          |
| SM-20FLP                         | 1.50      | FREE SWIVEL | NOZZLE      | 11.813     | 11.250    | 3.750 | 4.250      | 5.125      |           |                    |                        | 4.84          |
| SM-20FGLP                        | 1.50      | RIGID       | NOZZLE      | 11.375     | 10.813    | 3.750 | 4.250      | 5.125      |           | 5.938              |                        | 5.29          |
| SM-20FGLP                        | 1.50      | SWIVEL      | NOZZLE      | 11.750     | 11.250    | 3.750 | 4.250      | 5.125      |           | 5.938              |                        | 5.52          |
| SM-20FGLP                        | 1.50      | FREE SWIVEL | NOZZLE      | 11.500     | 11.000    | 3.750 | 4.250      | 5.125      |           | 5.938              |                        | 5.34          |

Denotes standard

| SELECT-O-MATIC DIMENSIONAL TABLE |           |             |             |            |           |       |            |            |           |                    |                        |               |      |
|----------------------------------|-----------|-------------|-------------|------------|-----------|-------|------------|------------|-----------|--------------------|------------------------|---------------|------|
| (In Inches)                      |           |             |             |            |           |       |            |            |           |                    |                        |               |      |
| MODEL                            | BASE SIZE | BASE        | TYPE        | LENGTH     |           |       | WIDTH (W.) |            |           | GRIP HEIGHT (G.H.) | SHUT-OFF LENGTH (S.L.) | WEIGHT (LBS.) |      |
|                                  |           |             |             | MAX (S.S.) | MIN (FOG) | DIA.  | TAB        | HORSE SHOE | PLAY PIPE |                    |                        |               |      |
| TSM-20FLP                        | 1.50      | RIGID       | TIP         | 8.313      | 7.750     | 3.750 |            |            |           |                    |                        | 3.06          |      |
| TSM-20FLP                        | 1.50      | SWIVEL      | TIP         | 8.563      | 8.000     | 3.750 |            |            |           |                    |                        | 3.10          |      |
| STSM-20FATLP                     | 1.50      | SWIVEL      | BREAK-APART | 14.250     | 13.688    | 3.750 | 4.313      | 5.125      |           |                    |                        | 5.675         | 6.10 |
| STSM-20FATLP                     | 1.50      | FREE SWIVEL | BREAK-APART | 18.438     | 17.988    | 3.750 | 4.313      | 5.125      |           |                    |                        | 9.875         | 5.93 |
| STSM-20FGATLP                    | 1.50      | SWIVEL      | BREAK-APART | 14.250     | 13.688    | 3.750 | 4.313      | 5.125      |           | 5.938              |                        | 5.675         | 6.60 |
| STSM-20FGATLP                    | 1.50      | FREE SWIVEL | BREAK-APART | 18.438     | 17.938    | 3.750 | 4.313      | 5.125      |           | 5.938              |                        | 9.875         | 6.43 |
| SM-20F                           | 1.50      | RIGID       | NOZZLE      | 11.375     | 10.813    | 3.750 | 4.250      | 5.125      |           |                    |                        | 4.90          |      |
| SM-20F                           | 1.50      | SWIVEL      | NOZZLE      | 11.500     | 11.000    | 3.750 | 4.250      | 5.125      |           |                    |                        | 5.13          |      |
| SM-20F                           | 1.50      | FREE SWIVEL | NOZZLE      | 11.750     | 11.250    | 3.750 | 4.250      | 5.125      |           |                    |                        | 4.94          |      |
| SM-20FG                          | 1.50      | RIGID       | NOZZLE      | 11.375     | 10.813    | 3.750 | 4.250      | 5.125      |           | 5.938              |                        | 5.26          |      |
| SM-20FG                          | 1.50      | SWIVEL      | NOZZLE      | 11.500     | 11.000    | 3.750 | 4.250      | 5.125      |           | 5.938              |                        | 5.49          |      |
| SM-20FG                          | 1.50      | FREE SWIVEL | NOZZLE      | 11.750     | 11.250    | 3.750 | 4.250      | 5.125      |           | 5.938              |                        | 5.31          |      |
| TSM-20F                          | 1.50      | RIGID       | TIP         | 8.313      | 7.750     | 3.750 |            |            |           |                    |                        | 3.06          |      |
| TSM-20F                          | 1.50      | SWIVEL      | TIP         | 8.563      | 8.000     | 3.750 |            |            |           |                    |                        | 3.10          |      |
| STSM-20F                         | 1.50      | RIGID       | BREAK-APART | 13.250     | 12.688    | 3.750 |            |            |           |                    |                        | 4.688         | 5.35 |
| STSM-20F                         | 1.50      | SWIVEL      | BREAK-APART | 13.500     | 12.938    | 3.750 |            |            |           |                    |                        | 4.938         | 5.48 |
| STSM-20F                         | 1.50      | FREE SWIVEL | BREAK-APART | 13.813     | 13.250    | 3.750 |            |            |           |                    |                        | 5.250         | 5.39 |
| STSM-20FG                        | 1.50      | RIGID       | BREAK-APART | 13.250     | 12.688    | 3.750 | 4.313      | 5.125      |           | 5.938              |                        | 4.688         | 5.88 |
| STSM-20FG                        | 1.50      | SWIVEL      | BREAK-APART | 13.500     | 12.938    | 3.750 | 4.313      | 5.125      |           | 5.938              |                        | 4.938         | 5.98 |
| STSM-20FG                        | 1.50      | FREE SWIVEL | BREAK-APART | 13.813     | 13.250    | 3.750 | 4.313      | 5.125      |           | 5.938              |                        | 5.250         | 5.92 |
| STSM-20FAT                       | 1.50      | SWIVEL      | BREAK-APART | 14.250     | 13.688    | 3.750 | 4.313      | 5.125      |           |                    |                        | 5.675         | 6.10 |
| STSM-20FAT                       | 1.50      | FREE SWIVEL | BREAK-APART | 18.438     | 17.938    | 3.750 | 4.313      | 5.125      |           |                    |                        | 9.875         | 5.93 |
| STSM-20FGAT                      | 1.50      | SWIVEL      | BREAK-APART | 14.250     | 13.688    | 3.750 | 4.313      | 5.125      |           |                    |                        | 5.675         | 6.60 |
| STSM-20FGAT                      | 1.50      | FREE SWIVEL | BREAK-APART | 18.438     | 17.938    | 3.750 | 4.313      | 5.125      |           |                    |                        | 9.875         | 6.43 |

Denotes standard

| SELECT-O-MATIC DIMENSIONAL TABLE |           |             |             |            |           |       |            |            |           |                    |                        |               |
|----------------------------------|-----------|-------------|-------------|------------|-----------|-------|------------|------------|-----------|--------------------|------------------------|---------------|
| (In Inches)                      |           |             |             |            |           |       |            |            |           |                    |                        |               |
| MODEL                            | BASE SIZE | BASE        | TYPE        | LENGTH     |           | DIA.  | WIDTH (W.) |            |           | GRIP HEIGHT (G.H.) | SHUT-OFF LENGTH (S.L.) | WEIGHT (LBS.) |
|                                  |           |             |             | MAX (S.S.) | MIN (FOG) |       | TAB        | HORSE SHOE | PLAY PIPE |                    |                        |               |
| SM-30FLP                         | 1.50      | RIGID       | NOZZLE      | 12.188     | 11.000    | 4.313 | 4.250      | 5.125      |           |                    |                        | 6.90          |
| SM-30FLP                         | 1.50      | SWIVEL      | NOZZLE      | 12.500     | 11.313    | 4.313 | 4.250      | 5.125      |           |                    |                        | 7.20          |
| SM-30FLP                         | 1.50      | FREE SWIVEL | NOZZLE      | 12.875     | 11.688    | 4.313 | 4.250      | 5.125      |           |                    |                        | 7.00          |
| SM-30GLP                         | 1.50      | RIGID       | NOZZLE      | 12.188     | 11.000    | 4.313 | 4.250      | 5.125      |           | 5.938              |                        | 7.40          |
| SM-30GLP                         | 1.50      | SWIVEL      | NOZZLE      | 12.500     | 11.313    | 4.313 | 4.250      | 5.125      |           | 5.938              |                        | 7.70          |
| SM-30GLP                         | 1.50      | FREE SWIVEL | NOZZLE      | 12.875     | 11.688    | 4.313 | 4.250      | 5.125      |           | 5.938              |                        | 7.50          |
| TSM-30FLP                        | 1.50      | RIGID       | TIP         | 10.000     | 8.813     | 4.313 |            |            |           |                    |                        | 5.16          |
| TSM-30FLP                        | 1.50      | SWIVEL      | TIP         | 10.188     | 9.000     | 4.313 |            |            |           |                    |                        | 5.20          |
| STSM-30FATLP                     | 2.50      | SWIVEL      | BREAK-APART | 16.500     | 15.313    | 4.313 | 4.313      | 5.125      |           | 6.375              |                        | 8.20          |
| STSM-30FATLP                     | 2.50      | FREE SWIVEL | BREAK-APART | 16.813     | 15.625    | 4.313 | 4.313      | 5.125      |           | 6.688              |                        | 8.03          |
| STSM-30FGATLP                    | 2.50      | SWIVEL      | BREAK-APART | 16.500     | 15.313    | 4.313 | 4.313      | 5.125      |           | 5.938              | 6.375                  | 8.70          |
| STSM-30FGATLP                    | 2.50      | FREE SWIVEL | BREAK-APART | 16.813     | 15.625    | 4.313 | 4.313      | 5.125      |           | 5.938              | 6.688                  | 8.53          |
| SM-30F                           | 1.50      | RIGID       | NOZZLE      | 12.188     | 11.000    | 4.313 | 4.250      | 5.125      |           |                    |                        | 6.80          |
| SM-30F                           | 1.50      | SWIVEL      | NOZZLE      | 12.500     | 11.313    | 4.313 | 4.250      | 5.125      |           |                    |                        | 7.10          |
| SM-30F                           | 1.50      | FREE SWIVEL | NOZZLE      | 12.875     | 11.688    | 4.313 | 4.250      | 5.125      |           |                    |                        | 6.90          |

Denotes standard

| SELECT-O-MATIC DIMENSIONAL TABLE |           |             |             |            |           |       |            |            |           |                    |                        |               |
|----------------------------------|-----------|-------------|-------------|------------|-----------|-------|------------|------------|-----------|--------------------|------------------------|---------------|
| (In Inches)                      |           |             |             |            |           |       |            |            |           |                    |                        |               |
| MODEL                            | BASE SIZE | BASE        | TYPE        | LENGTH     |           | DIA.  | WIDTH (W.) |            |           | GRIP HEIGHT (G.H.) | SHUT-OFF LENGTH (S.L.) | WEIGHT (LBS.) |
|                                  |           |             |             | MAX (S.S.) | MIN (FOG) |       | TAB        | HORSE SHOE | PLAY PIPE |                    |                        |               |
| SM-30FG                          | 1.50      | RIGID       | NOZZLE      | 12.188     | 11.000    | 4.313 | 4.250      | 5.125      |           | 5.938              |                        | 7.30          |
| SM-30FG                          | 1.50      | SWIVEL      | NOZZLE      | 12.500     | 11.313    | 4.313 | 4.250      | 5.125      |           | 5.938              |                        | 7.60          |
| SM-30FG                          | 1.50      | FREE SWIVEL | NOZZLE      | 12.875     | 11.688    | 4.313 | 4.250      | 5.125      |           | 5.938              |                        | 7.40          |
| TSM-30F                          | 1.50      | RIGID       | TIP         | 10.000     | 8.813     | 4.313 |            |            |           |                    |                        | 5.01          |
| TSM-30F                          | 1.50      | SWIVEL      | TIP         | 10.188     | 9.000     | 4.313 |            |            |           |                    |                        | 5.05          |
| STSM-30F                         | 1.50      | RIGID       | BREAK-APART | 14.813     | 13.625    | 4.313 | 4.313      | 5.125      |           |                    | 4.688                  | 7.30          |
| STSM-30F                         | 1.50      | SWIVEL      | BREAK-APART | 15.125     | 13.875    | 4.313 | 4.313      | 5.125      |           |                    | 4.938                  | 7.43          |
| STSM-30F                         | 1.50      | FREE SWIVEL | BREAK-APART | 15.375     | 14.188    | 4.313 | 4.313      | 5.125      |           |                    | 5.250                  | 7.34          |
| STSM-30FG                        | 1.50      | RIGID       | BREAK-APART | 14.813     | 13.625    | 4.313 | 4.313      | 5.125      |           | 5.938              | 4.688                  | 7.83          |
| STSM-30FG                        | 1.50      | SWIVEL      | BREAK-APART | 15.125     | 13.875    | 4.313 | 4.313      | 5.125      |           | 5.938              | 4.938                  | 7.93          |
| STSM-30FG                        | 1.50      | FREE SWIVEL | BREAK-APART | 15.375     | 14.188    | 4.313 | 4.313      | 5.125      |           | 5.938              | 5.250                  | 7.87          |
| STSM-30FAT                       | 1.50      | SWIVEL      | BREAK-APART | 15.675     | 14.438    | 4.313 | 4.313      | 5.125      |           |                    | 5.675                  | 8.05          |
| STSM-30FAT                       | 1.50      | FREE SWIVEL | BREAK-APART | 16.250     | 15.013    | 4.313 | 4.313      | 5.125      |           |                    | 6.250                  | 7.88          |
| STSM-30FGAT                      | 1.50      | SWIVEL      | BREAK-APART | 15.675     | 14.438    | 4.313 | 4.313      | 5.125      |           | 5.938              | 5.675                  | 8.55          |
| STSM-30FGAT                      | 1.50      | FREE SWIVEL | BREAK-APART | 16.250     | 15.013    | 4.313 | 4.313      | 5.125      |           | 5.938              | 6.250                  | 8.38          |

Denotes standard

| SELECT-O-MATIC DIMENSIONAL TABLE |           |                     |             |            |           |       |            |            |          |                    |                        |               |
|----------------------------------|-----------|---------------------|-------------|------------|-----------|-------|------------|------------|----------|--------------------|------------------------|---------------|
| (In Inches)                      |           |                     |             |            |           |       |            |            |          |                    |                        |               |
| MODEL                            | BASE SIZE | BASE                | TYPE        | LENGTH     |           | DIA.  | WIDTH (W.) |            |          | GRIP HEIGHT (G.H.) | SHUT-OFF LENGTH (S.L.) | WEIGHT (LBS.) |
|                                  |           |                     |             | MAX (S.S.) | MIN (FOG) |       | TAB        | HORSE SHOE | PLAYPIPE |                    |                        |               |
| DSM-30FLP                        | 2.50      | SWIVEL              | NOZZLE      | 15.750     | 14.568    | 4.313 | 4.250      | 5.125      |          |                    |                        | 7.70          |
| DSM-30FLP                        | 2.50      | FREE SWIVEL (SHORT) | NOZZLE      | 13.938     | 11.500    | 4.313 | 4.250      | 5.125      |          |                    |                        | 7.70          |
| DSM-30FLP                        | 2.50      | FREE SWIVEL (LONG)  | NOZZLE      | 16.438     | 15.313    | 4.313 | 4.250      | 5.125      |          |                    |                        | 7.52          |
| DSM-30FGLP                       | 2.50      | SWIVEL              | NOZZLE      | 15.750     | 14.568    | 4.313 | 4.250      | 5.125      |          | 5.938              |                        | 8.20          |
| DSM-30FGLP                       | 2.50      | FREE SWIVEL (SHORT) | NOZZLE      | 13.938     | 11.500    | 4.313 | 4.250      | 5.125      |          | 5.938              |                        | 8.20          |
| DSM-30FGLP                       | 2.50      | FREE SWIVEL (LONG)  | NOZZLE      | 16.438     | 15.313    | 4.313 | 4.250      | 5.125      |          | 5.938              |                        | 8.02          |
| STSM-30BPALP                     | 2.50      | FREE SWIVEL         | PLAYPIPE    | 21.125     | 19.938    | 4.313 |            | 5.125      | 12.000   |                    | 10.938                 | 9.11          |
| STDSM-30FGATLP                   | 2.50      | FREE SWIVEL (SHORT) | BREAK-APART | 17.563     | 16.375    | 4.313 | 4.313      | 5.125      |          | 5.938              | 7.375                  | 9.55          |
| STDSM-30FGATLP                   | 2.50      | FREE SWIVEL (LONG)  | BREAK-APART | 20.000     | 18.813    | 4.313 | 4.313      | 5.125      |          | 5.938              | 9.813                  | 9.98          |
| DTSM-30F                         | 2.50      | SWIVEL              | TIP         | 10.188     | 9.000     | 4.313 |            |            |          |                    |                        | 5.33          |
| DSM-30FG                         | 2.50      | SWIVEL              | NOZZLE      | 15.250     | 14.563    | 4.313 | 4.250      | 5.125      |          | 5.938              |                        | 5.83          |
| DSM-30FG                         | 2.50      | FREE SWIVEL (SHORT) | NOZZLE      | 13.938     | 11.500    | 4.313 | 4.250      | 5.125      |          | 5.938              |                        | 7.95          |
| DSM-30FG                         | 2.50      | FREE SWIVEL (LONG)  | NOZZLE      | 16.438     | 15.313    | 4.313 | 4.250      | 5.125      |          | 5.938              |                        | 8.13          |
| SM-30PL                          | 2.50      | FREE SWIVEL         | PLAYPIPE    | 23.813     | 22.688    | 4.313 | 4.250      | 5.125      | 12.000   |                    | 10.938                 | 5.75          |
| STSM-30BPA                       | 2.50      | FREE SWIVEL         | PLAYPIPE    | 21.125     | 19.938    | 4.313 | 4.313      | 5.125      | 12.000   |                    | 10.938                 | 11.55         |

Denotes standard

| SELECT-O-MATIC DIMENSIONAL TABLE |           |                     |             |            |           |       |            |            |          |                    |                        |               |
|----------------------------------|-----------|---------------------|-------------|------------|-----------|-------|------------|------------|----------|--------------------|------------------------|---------------|
| (In Inches)                      |           |                     |             |            |           |       |            |            |          |                    |                        |               |
| MODEL                            | BASE SIZE | BASE                | TYPE        | LENGTH     |           | DIA.  | WIDTH (W.) |            |          | GRIP HEIGHT (G.H.) | SHUT-OFF LENGTH (S.L.) | WEIGHT (LBS.) |
|                                  |           |                     |             | MAX (S.S.) | MIN (FOG) |       | TAB        | HORSE SHOE | PLAYPIPE |                    |                        |               |
| DSM-30F                          | 2.50      | SWIVEL              | NOZZLE      | 15.250     | 14.563    | 4.313 | 4.250      | 5.125      |          |                    |                        | 7.60          |
| DSM-30F                          | 2.50      | FREE SWIVEL (SHORT) | NOZZLE      | 13.938     | 11.500    | 4.313 | 4.250      | 5.125      |          |                    |                        | 7.60          |
| DSM-30F                          | 2.50      | FREE SWIVEL (LONG)  | NOZZLE      | 16.438     | 15.313    | 4.313 | 4.250      | 5.125      |          |                    |                        | 7.42          |
| STDSM-30F                        | 2.50      | SWIVEL              | BREAK-APART | 18.438     | 17.250    | 4.313 | 4.313      | 5.125      |          |                    | 8.250                  | 8.34          |
| STDSM-30F                        | 2.50      | FREE SWIVEL (SHORT) | BREAK-APART | 16.600     | 15.413    | 4.313 | 4.313      | 5.125      |          |                    | 6.413                  | 8.15          |
| STDSM-30F                        | 2.50      | FREE SWIVEL (LONG)  | BREAK-APART | 19.063     | 17.875    | 4.313 | 4.313      | 5.125      |          |                    | 8.875                  | 8.33          |
| STDSM-30FG                       | 2.50      | SWIVEL              | BREAK-APART | 18.438     | 17.250    | 4.313 | 4.313      | 5.125      |          | 5.938              | 8.250                  | 8.84          |
| STDSM-30FG                       | 2.50      | FREE SWIVEL (SHORT) | BREAK-APART | 16.600     | 15.413    | 4.313 | 4.313      | 5.125      |          | 5.938              | 6.413                  | 8.65          |
| STDSM-30FG                       | 2.50      | FREE SWIVEL (LONG)  | BREAK-APART | 19.063     | 17.875    | 4.313 | 4.313      | 5.125      |          | 5.938              | 8.875                  | 8.77          |
| STSM-30PL                        | 2.50      | FREE SWIVEL         | PLAYPIPE    | 26.313     | 25.125    | 4.313 | 4.313      | 5.125      | 12.000   |                    | 16.188                 | 13.18         |
| STDSM-30FAT                      | 2.50      | FREE SWIVEL (SHORT) | BREAK-APART | 17.563     | 16.375    | 4.313 | 4.313      | 5.125      |          |                    | 7.375                  | 8.62          |
| STDSM-30FAT                      | 2.50      | FREE SWIVEL (LONG)  | BREAK-APART | 20.000     | 18.813    | 4.313 | 4.313      | 5.125      |          |                    | 9.813                  | 9.05          |
| STDSM-30FGAT                     | 2.50      | FREE SWIVEL (SHORT) | BREAK-APART | 17.563     | 16.375    | 4.313 | 4.313      | 5.125      |          | 5.938              | 7.375                  | 9.12          |
| STDSM-30FGAT                     | 2.50      | FREE SWIVEL (LONG)  | BREAK-APART | 20.000     | 18.813    | 4.313 | 4.313      | 5.125      |          | 5.938              | 9.813                  | 9.55          |

Denotes standard