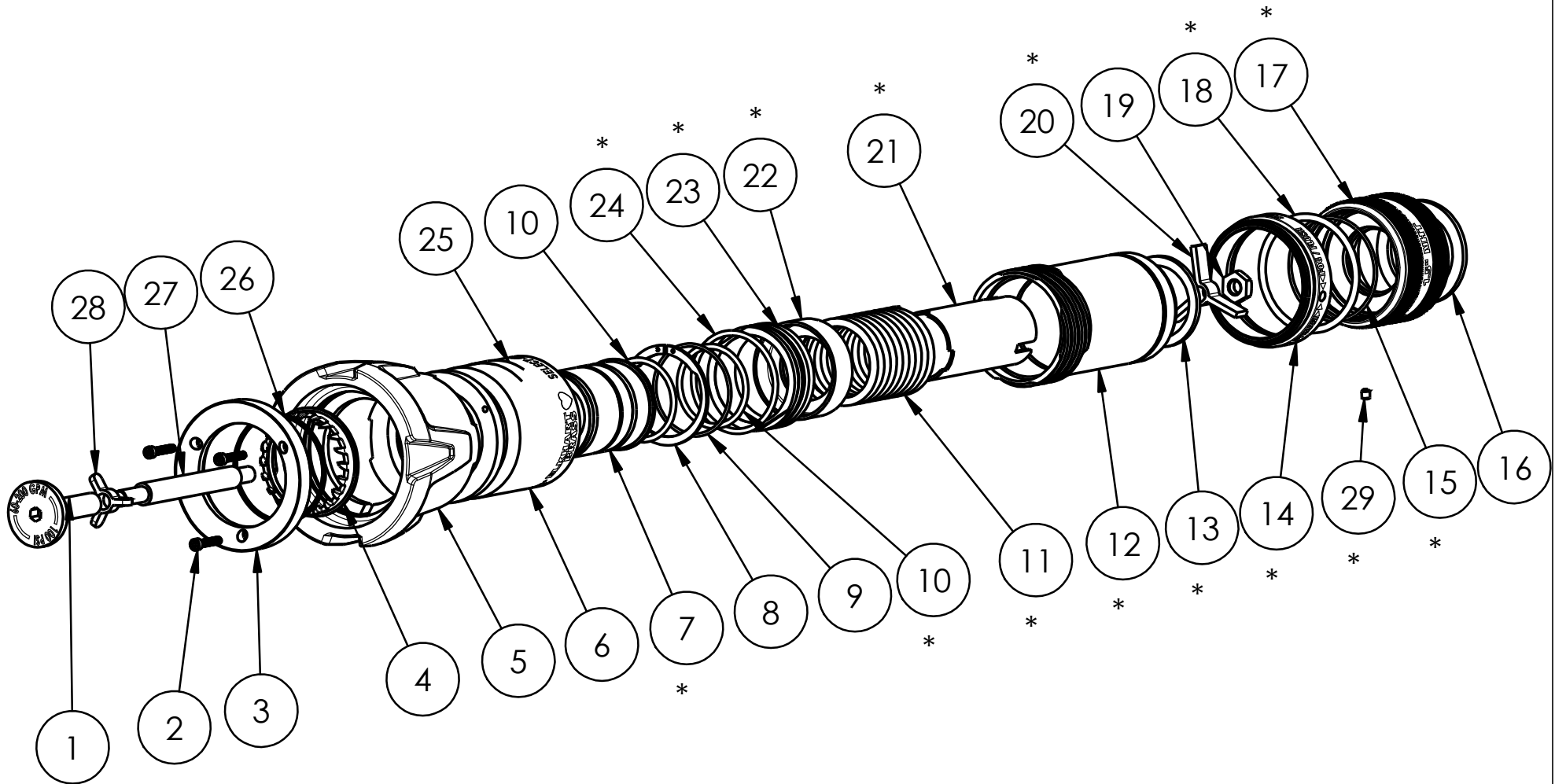



* FACTORY SERVICE ONLY COMPONENTS
DANGER: PARTS UNDER SPRING TENSION



VISIT OUR WEBSITE FOR REPAIR VIDEOS
www.ElkhartBrass.com

 ELKHART BRASS Fire Fighting Equipment	
<small>THIS DRAWING CONTAINS INFORMATION THAT IS PROPRIETARY TO ELKHART BRASS MFG CO., INC. AND MAY NOT BE USED TO PRODUCE ANY PARTS, ASSEMBLIES OR PRODUCTS DESCRIBED HEREIN WITHOUT EXPRESS WRITTEN PERMISSION</small>	
<small>SM XD MID TIP-EXPLODED (60-200@100) PAGE 1 OF 2</small>	<small>EXPLODED DRAWING</small>

ITEM NO.	PART NUMBER	DESCRIPTION	Default/QTY.
1	69100007	STEM-HEAD	1
2	64158000	SCREW - 6-32 X 0.750 SOC CAP	3
3	59144007	RING - RETAINING (TEETH)	1
4	58982001	RING - TEETH (SPINNING)	1
5	338840XX	GRIP - HAND (BUMPER)	1
6	66465507	TIP - NOZZLE	1
7	16913007	BARREL - CENTER	1
8	58931000	RETAINER RING	1
9	57430000	O RING AS-568-031 1.739 X.070	1
10	57398000	O RING AS-568-128 1.487 X.103	2
11	61780000	SPRING-COIL	1
12	18285007	BODY (BASE) NOZZLE	1
13	71113000	WASHER REINFORCING	1
14	59145007	RING - RETAINING (TIP)	1
15	57422000	O RING AS-568-033 1.989 X.070	1
16	33074000	GASKET-RUBBER 2.062X1.562X.125TH	1
17	11390007	ADAPTER-INLET TIP SM XD MID	1
18	57381000	O RING AS-568-227 2.109 X.139	1
19	47709000	NUT HEX 0.312-24 NF SS	1
20	63392001	STEM BASE WEB	1
21	61637001	SLEEVE	1
22	63579001	SPACER	1
23	17148001	BODY (TIP) NOZZLE	1
24	57420000	O RING AS-568-134 1.862 X.103	1
25	44789000	LABEL- PRODUCT DATA	1
26	59192000	RING - TEETH WEAR	1
27	69097007	STEM SHAFT	1
28	33715000	GUIDE - STEM	1
29	65209000	SCREW 8-32X0.187 SOC SETCUP SS	1



THIS DRAWING CONTAINS INFORMATION THAT IS PROPRIETARY TO ELKHART BRASS MFG CO., INC. AND MAY NOT BE USED TO PRODUCE ANY PARTS, ASSEMBLIES OR PRODUCTS DESCRIBED HEREIN WITHOUT EXPRESS WRITTEN PERMISSION

SM XD MID TIP-EXPLODED
PAGE 2 OF 2

XXXX
DRAWING