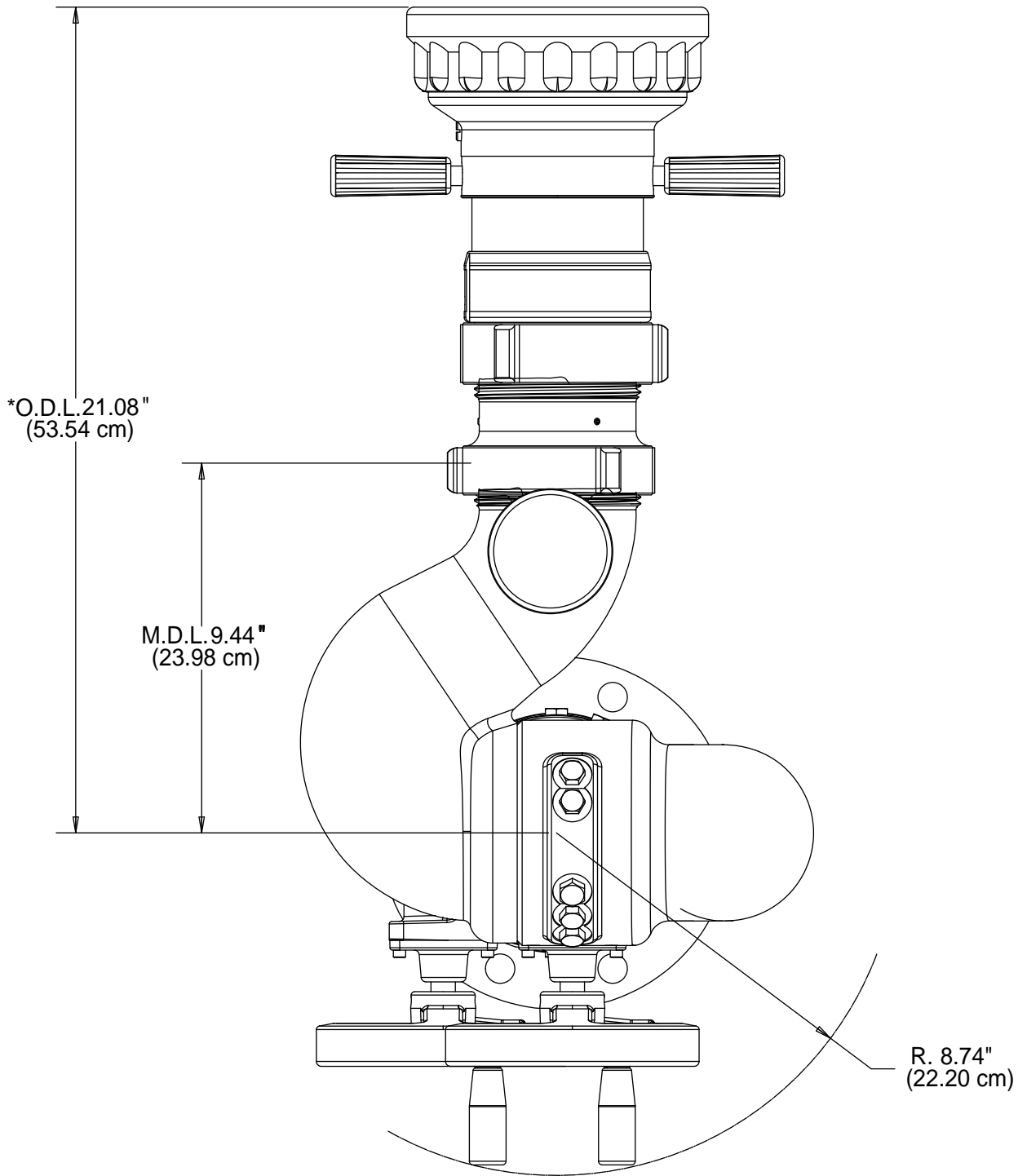



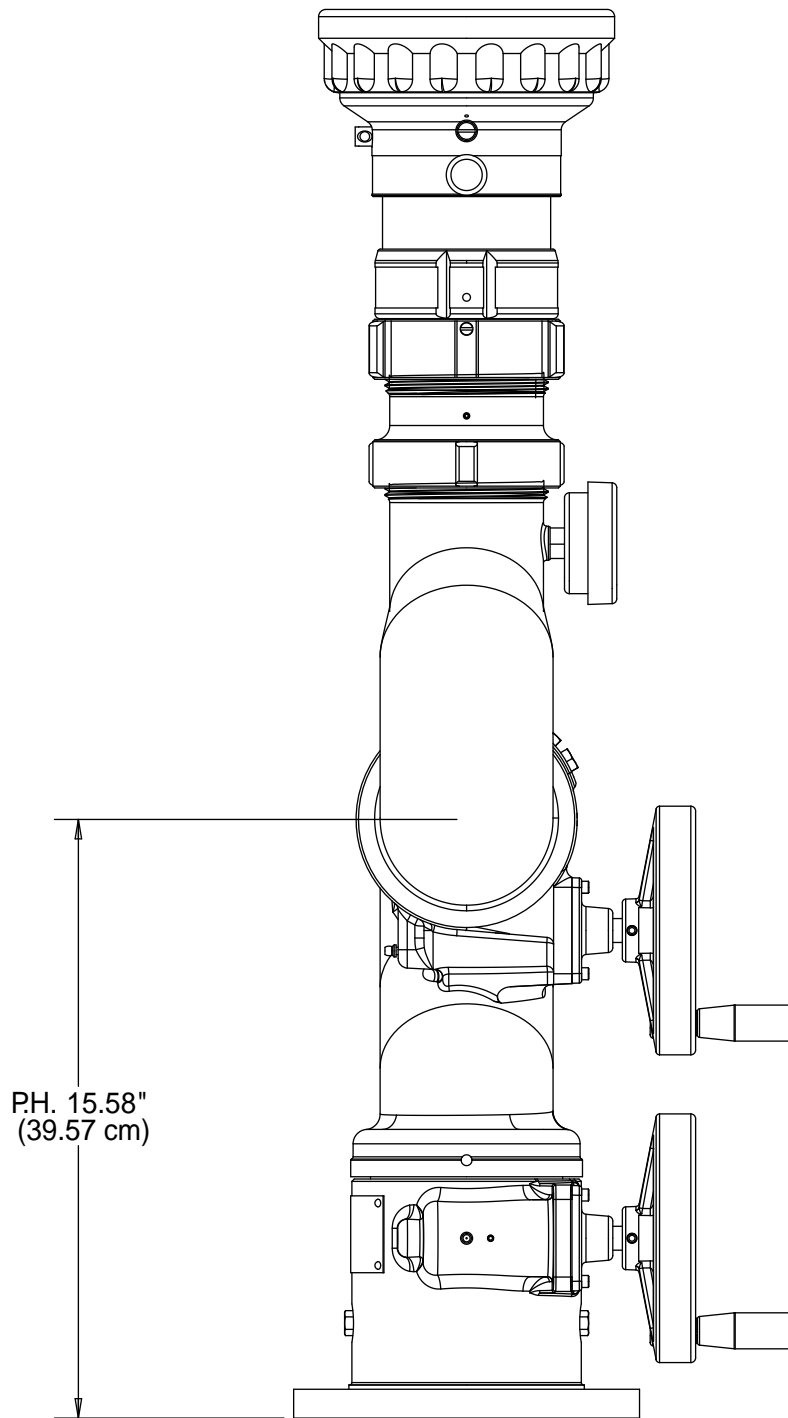
\*TYPICAL - SEE INDIVIDUAL NOZZLE DRAWINGS

	ELKHART BRASS MFG. CO., INC. ELKHART, INDIANA
THIS DRAWING CONTAINS INFORMATION THAT IS PROPRIETARY TO ELKHART BRASS MFG. CO., INC. AND MAY NOT BE USED TO PRODUCE ANY PARTS, ASSEMBLIES OR PRODUCTS DESCRIBED HEREIN WITHOUT EXPRESS WRITTEN PERMISSION.	
SCORPION 8294-021 PAGE 2 OF 5 12/2007	BACK VIEW DIMENSIONAL



\*TYPICAL - SEE INDIVIDUAL NOZZLE DRAWINGS

 <b>ELKHART BRASS MFG. CO., INC.</b> ELKHART, INDIANA	
<small>THIS DRAWING CONTAINS INFORMATION THAT IS PROPRIETARY TO ELKHART BRASS MFG. CO., INC. AND MAY NOT BE USED TO PRODUCE ANY PARTS, ASSEMBLIES OR PRODUCTS DESCRIBED HEREIN WITHOUT EXPRESS WRITTEN PERMISSION.</small>	
SCORPION 8294-021 PAGE 3 OF 5 12/2007	TOP VIEW DIMENSIONAL



PH. 15.58"  
(39.57 cm)



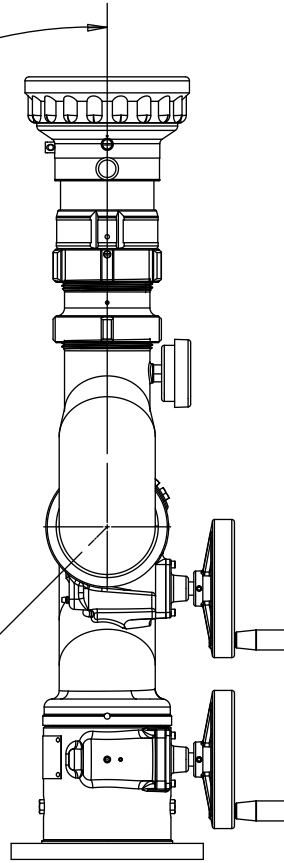
ELKHART BRASS MFG. CO., INC.  
ELKHART, INDIANA

THIS DRAWING CONTAINS INFORMATION THAT IS  
PROPRIETARY TO ELKHART BRASS MFG. CO., INC.  
AND MAY NOT BE USED TO PRODUCE ANY PARTS,  
ASSEMBLIES OR PRODUCTS DESCRIBED HEREIN  
WITHOUT EXPRESS WRITTEN PERMISSION.

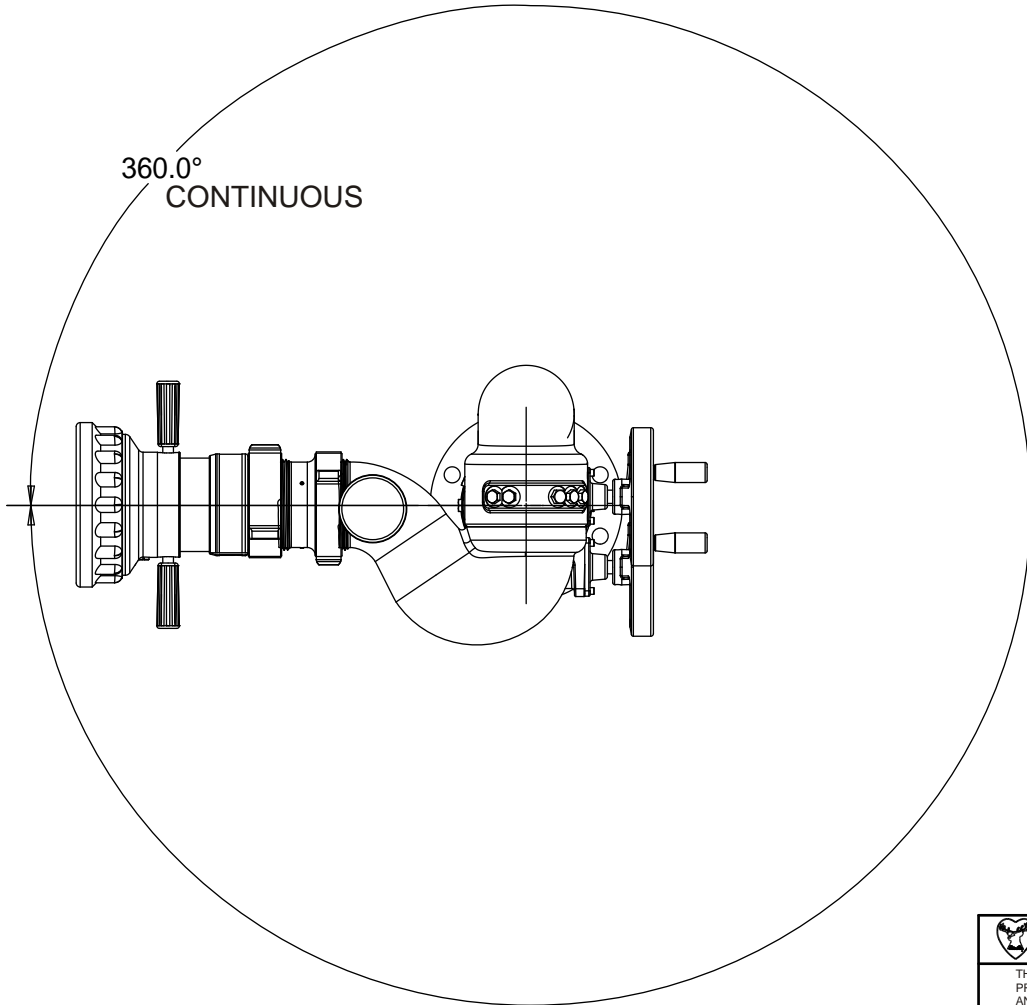
SCORPION 8294-021  
PAGE 4 OF 5  
12/2007

SIDE VIEW  
DIMENSIONAL

135.0°



360.0°  
CONTINUOUS

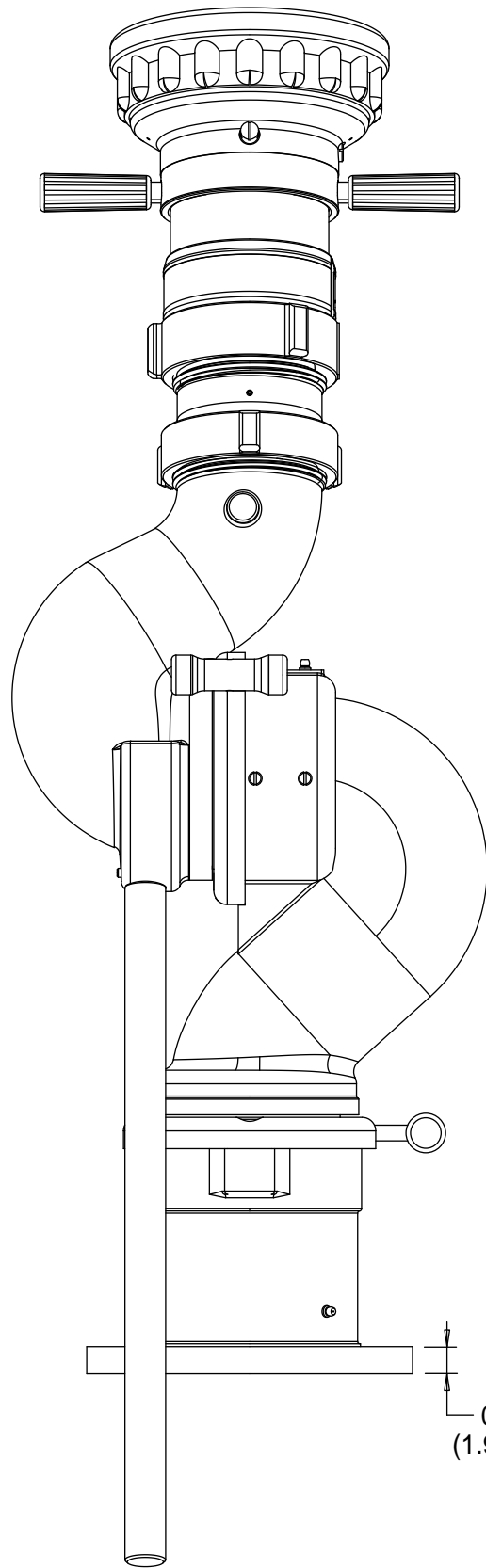


 ELKHART BRASS MFG. CO., INC.  
ELKHART, INDIANA


THIS DRAWING CONTAINS INFORMATION THAT IS PROPRIETARY TO ELKHART BRASS MFG. CO., INC. AND MAY NOT BE USED TO PRODUCE ANY PARTS, ASSEMBLIES OR PRODUCTS DESCRIBED HEREIN WITHOUT EXPRESS WRITTEN PERMISSION.

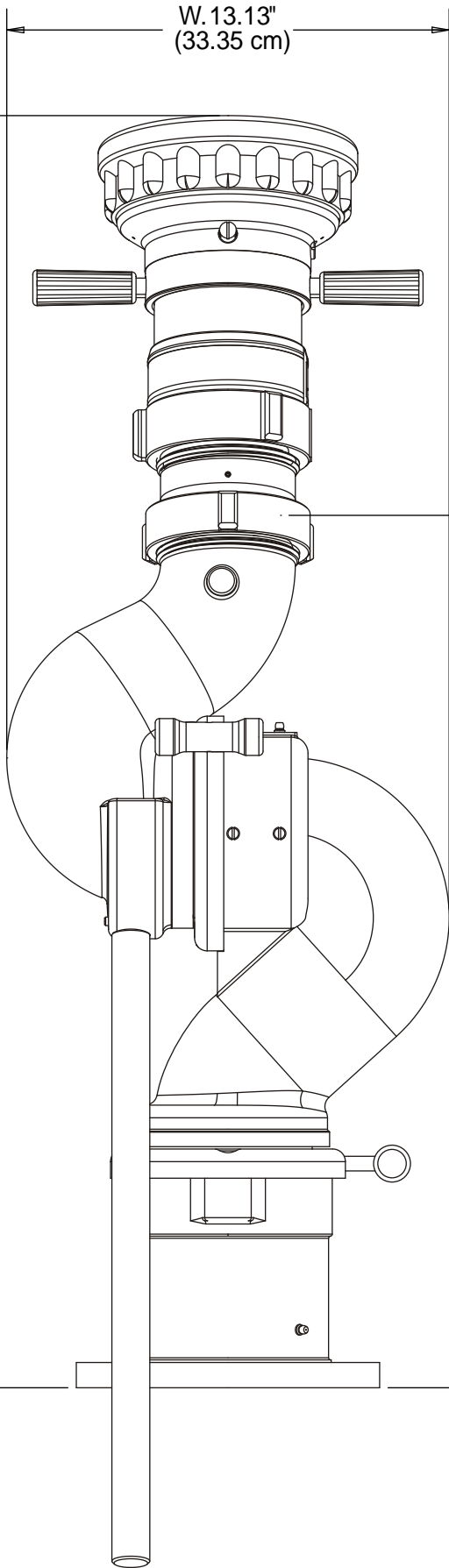
SCORPION 8294-021  
PAGE 5 OF 5  
12/2007

RANGE OF  
MOTION



0.75"  
(1.91 cm)

	ELKHART BRASS MFG. CO., INC. ELKHART, INDIANA
THIS DRAWING CONTAINS INFORMATION THAT IS PROPRIETARY TO ELKHART BRASS MFG. CO., INC. AND MAY NOT BE USED TO PRODUCE ANY PARTS, ASSEMBLIES OR PRODUCTS DESCRIBED HEREIN WITHOUT EXPRESS WRITTEN PERMISSION.	
SCORPION 8294-131 PAGE 1 OF 5 12/2007	BASE DIMENSIONAL



W. 13.13"  
(33.35 cm)

\*O.H. 37.53"  
(95.33 cm)

M.H. 25.90"  
(65.79 cm)

\*TYPICAL - SEE INDIVIDUAL NOZZLE DRAWINGS

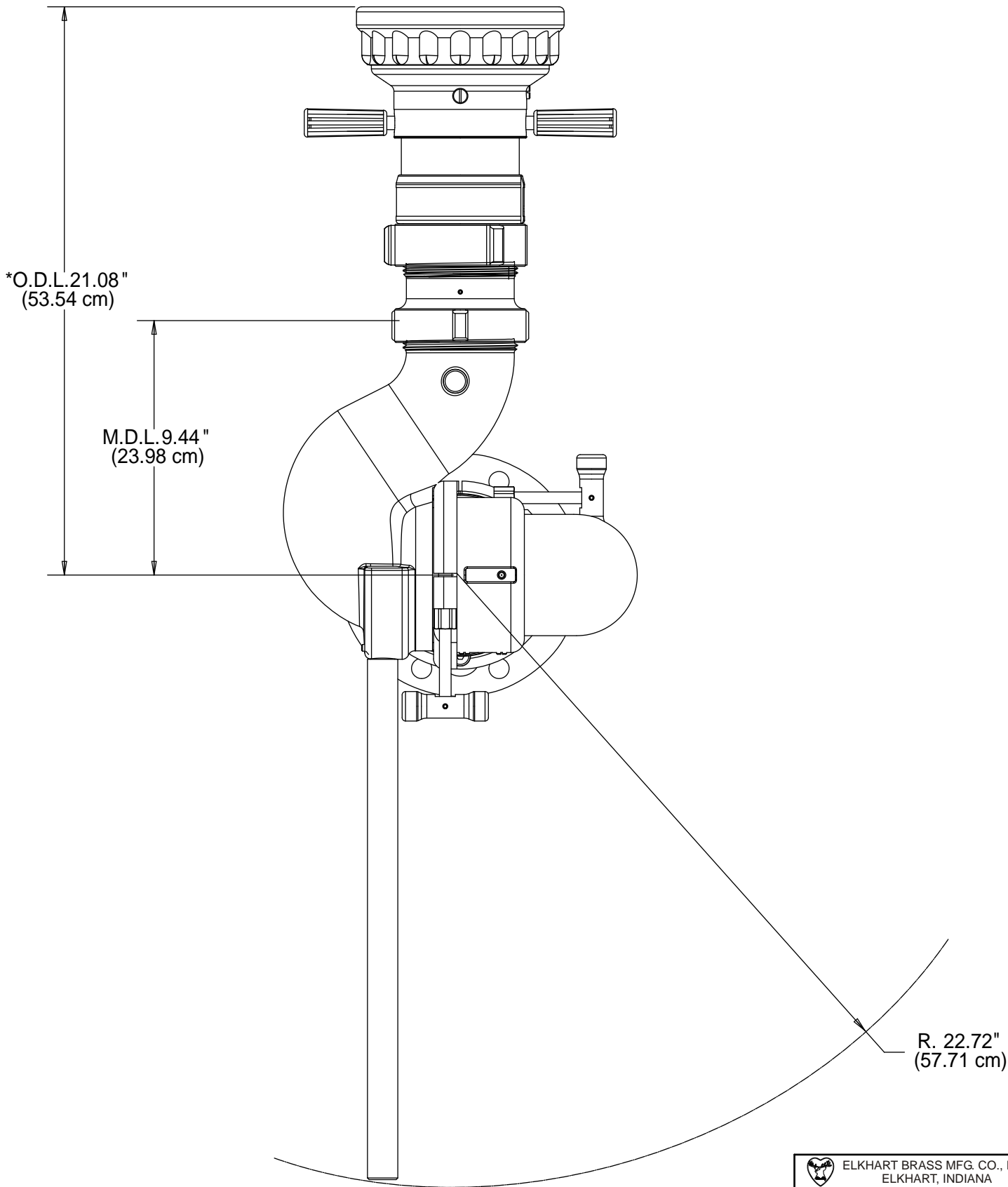


ELKHART BRASS MFG. CO., INC.  
ELKHART, INDIANA


THIS DRAWING CONTAINS INFORMATION THAT IS  
PROPRIETARY TO ELKHART BRASS MFG. CO., INC.  
AND MAY NOT BE USED TO PRODUCE ANY PARTS,  
ASSEMBLIES OR PRODUCTS DESCRIBED HEREIN  
WITHOUT EXPRESS WRITTEN PERMISSION.

SCORPION 8294-131  
PAGE 2 OF 5  
12/2007

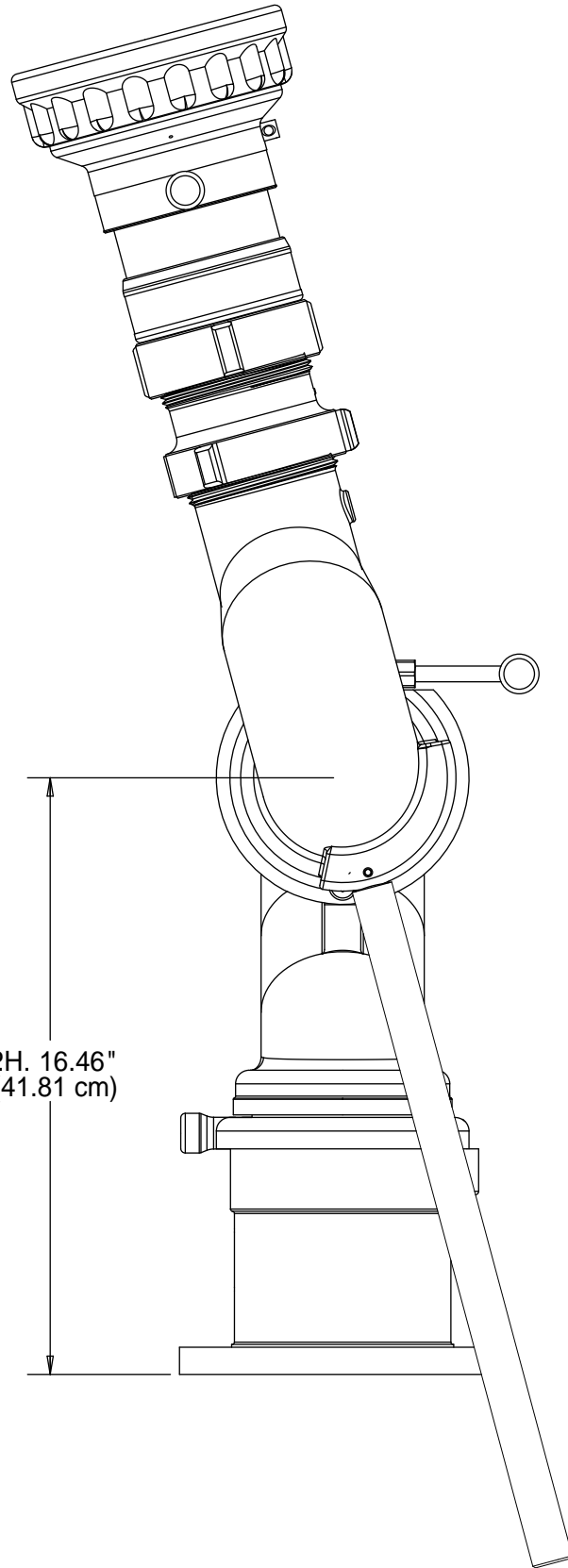
BACK VIEW  
DIMENSIONAL




\*TYPICAL - SEE INDIVIDUAL NOZZLE DRAWINGS

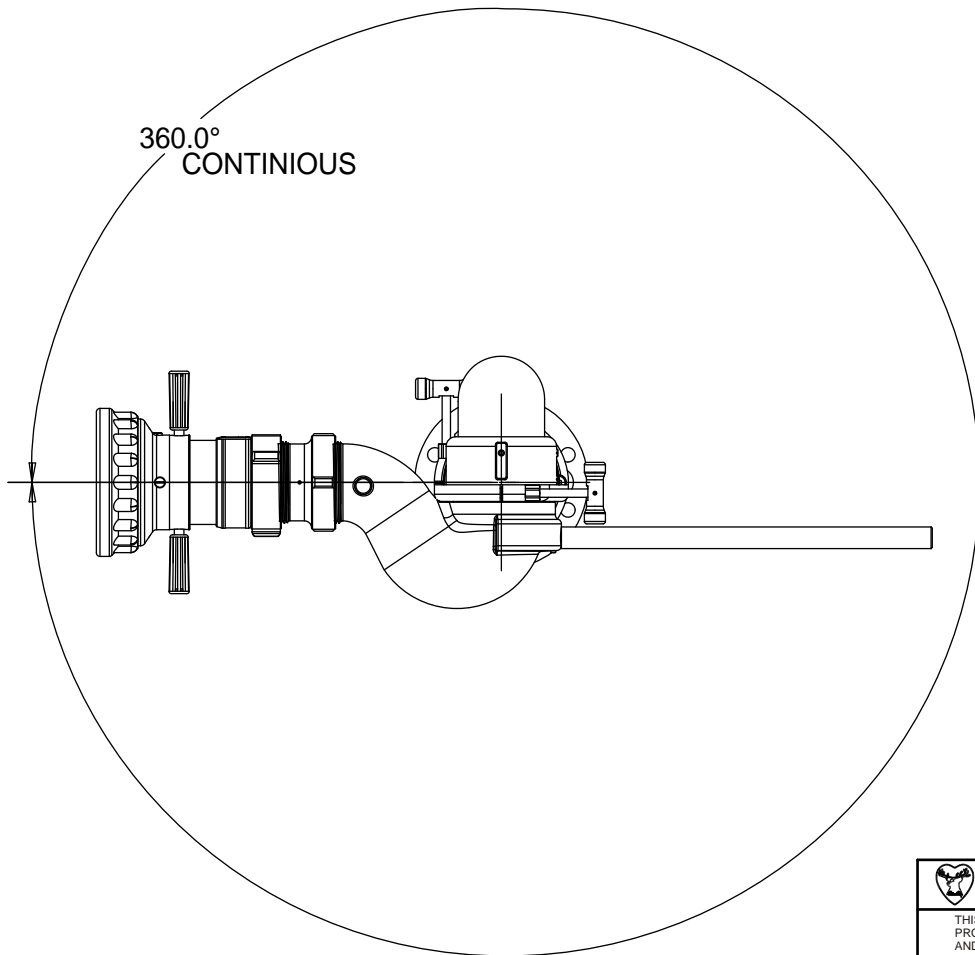
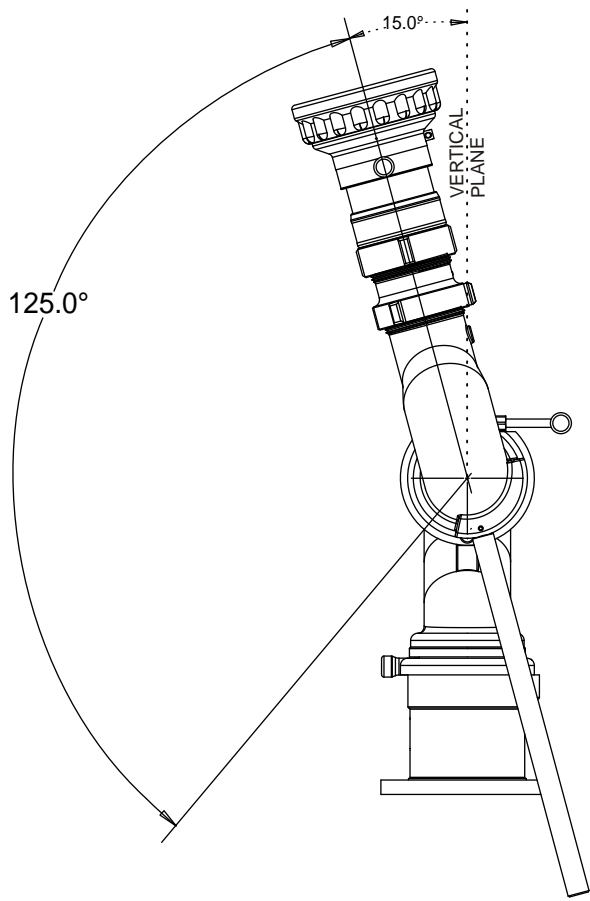
	<p>ELKHART BRASS MFG. CO., INC. ELKHART, INDIANA</p>
<p>THIS DRAWING CONTAINS INFORMATION THAT IS PROPRIETARY TO ELKHART BRASS MFG. CO., INC. AND MAY NOT BE USED TO PRODUCE ANY PARTS, ASSEMBLIES OR PRODUCTS DESCRIBED HEREIN WITHOUT EXPRESS WRITTEN PERMISSION.</p>	
<p>SCORPION 8294-131 PAGE 3 OF 5 12/2007</p>	<p>TOP VIEW DIMENSIONAL</p>






P.H. 16.46"  
(41.81 cm)

	ELKHART BRASS MFG. CO., INC. ELKHART, INDIANA
THIS DRAWING CONTAINS INFORMATION THAT IS PROPRIETARY TO ELKHART BRASS MFG. CO., INC. AND MAY NOT BE USED TO PRODUCE ANY PARTS, ASSEMBLIES OR PRODUCTS DESCRIBED HEREIN WITHOUT EXPRESS WRITTEN PERMISSION.	
SCORPION 8294-131 PAGE 4 OF 5 12/2007	SIDE VIEW DIMENSIONAL



 <b>ELKHART BRASS MFG. CO., INC.</b> ELKHART, INDIANA	
<small>THIS DRAWING CONTAINS INFORMATION THAT IS PROPRIETARY TO ELKHART BRASS MFG. CO., INC. AND MAY NOT BE USED TO PRODUCE ANY PARTS, ASSEMBLIES OR PRODUCTS DESCRIBED HEREIN WITHOUT EXPRESS WRITTEN PERMISSION.</small>	
SCORPION 8294-131 PAGE 5 OF 5 12/2007	RANGE OF MOTION

## DIMENSIONAL ABBREVIATION KEY\*

ABBREVIATION	DESCRIPTION
D.L.	Discharge Length
H.H.	Handle Height
H.S.R.	Handle Swing Radius
M.D.L.	Monitor Discharge Length
M.H.	Monitor Height
O.D.L.	Overall Discharge Length
O.H.	Overall Height
O.L.	Overall Length
P.H.	Pivot Height
P.R.	Pivot Radius
R.	Radius
S.D.H.	Stow Down Height
W.	Width

\*Not all abbreviations will be used on every drawing



ELKHART BRASS MFG. CO., INC.  
ELKHART, INDIANA

THIS DRAWING CONTAINS INFORMATION THAT IS  
PROPRIETARY TO ELKHART BRASS MFG. CO., INC.  
AND MAY NOT BE USED TO PRODUCE ANY PARTS,  
ASSEMBLIES OR PRODUCTS DESCRIBED HEREIN  
WITHOUT EXPRESS WRITTEN PERMISSION.

DIMENSIONAL  
KEY  
2/2008