
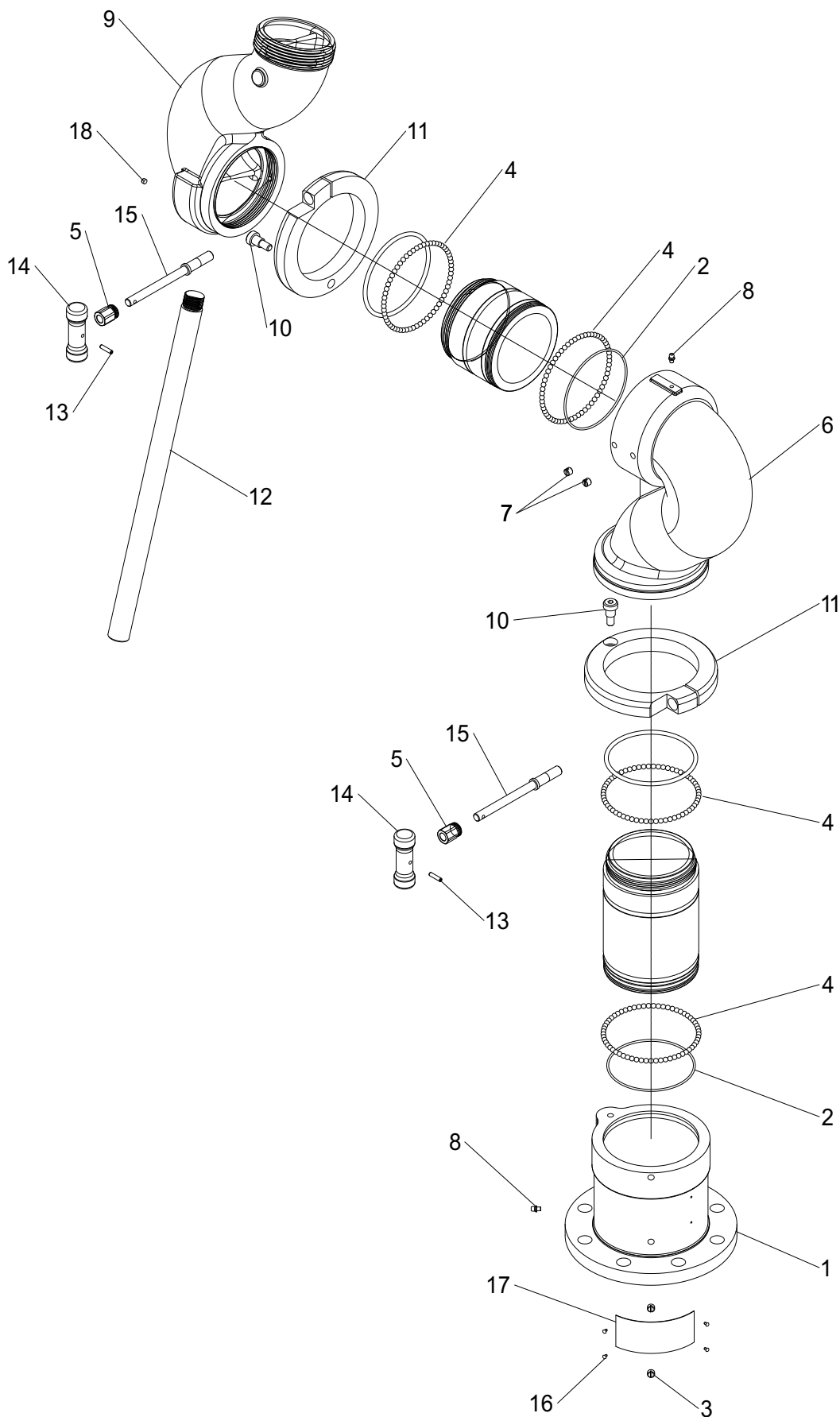
 <b>ELKHART BRASS MFG. CO., INC.</b> ELKHART, INDIANA	
<small>THIS DRAWING CONTAINS INFORMATION THAT IS PROPRIETARY TO ELKHART BRASS MFG. CO., INC. AND MAY NOT BE USED TO PRODUCE ANY PARTS, ASSEMBLIES OR PRODUCTS DESCRIBED HEREIN WITHOUT EXPRESS WRITTEN PERMISSION.</small>	
SPIT-FIRE 8394-021 PAGE 1 OF 4 12/2007	PART DRAWING

### SPIT-FIRE 8394-021


ITEM #	PART #	QTY	DESCRIPTION
1	15593001	1	BASE - 4" 150 # FLANGE
2	57452000	2	O-RING
3	61248000	4	SET SCR BRASS
4	15027000	248	BALL .250 DIA. S/S
5	65075001	1	SCREW - CAM
6	51863000	9	PLUG- STOP
7	81053001	1	BASE INLET SUB ASS'Y.
8	33587000	1	GAUGE
9	81054001	1	OUTLET BODY SUB ASS'Y.
10	61037000	8	SOCKET CAP SCREW S/S
11	81019001	2	HANDWHEEL SUB ASS'Y.
12	71185001	2	WASHER - THRUST
13	71246000	2	GEAR - WORM
14	42002000	2	KEY - WOODRUFF
15	63930001	2	SHAFT - WORM
16	10448001	2	FLANGE ADAPTER
17	51240000	2	ROLL PIN
18	31011000	2	FITTING - GREASE
19	57318000	2	O-RING
20	61269000	1	SOCKET SET SCREW S/S
21	61215100	4	SCREW DRIVE S/S - NOT SHOWN
22	44344000	1	LABEL - NOT SHOWN

	<b>ELKHART BRASS MFG. CO., INC.</b> ELKHART, INDIANA
THIS DRAWING CONTAINS INFORMATION THAT IS PROPRIETARY TO ELKHART BRASS MFG. CO., INC. AND MAY NOT BE USED TO PRODUCE ANY PARTS, ASSEMBLIES OR PRODUCTS DESCRIBED HEREIN WITHOUT EXPRESS WRITTEN PERMISSION.	
SPIT-FIRE 8394-021 PAGE 2 OF 4 01/2008	PART LIST



### SPIT-FIRE 8394-121

ITEM #	PART #	QTY	DESCRIPTION
1	17950001	1	BASE - 4" 150 # FLANGE
2	57452000	2	O-RING
3	61221000	2	SET SCREW BRASS
4	15027000	244	BALL - .250 DIA. S/S
5	47539005	2	LOCK - NUT
6	81380001	1	INLET BODY SUB ASS'Y.
7	61222000	2	SET SCR BRASS
8	31011000	2	FITTING - GREASE
9	81379001	1	OUTLET BODY SUB ASS'Y.
10	17855000	2	SHOULDER BOLT S/S
11	23579001	2	CLAMP - LOCK
12	36339001	1	HANDLE MONITOR
13	51236000	2	ROLL PIN
14	36724001	2	HANDLE - LOCK
15	62812001	2	LOCK - STUD
16	61215100	4	DRIVE SCREW S/S
17	44452000	1	LABEL
18	65210000	1	SET SCREW S/S

 ELKHART BRASS MFG. CO., INC. ELKHART, INDIANA	
THIS DRAWING CONTAINS INFORMATION THAT IS PROPRIETARY TO ELKHART BRASS MFG. CO., INC. AND MAY NOT BE USED TO PRODUCE ANY PARTS, ASSEMBLIES OR PRODUCTS DESCRIBED HEREIN WITHOUT EXPRESS WRITTEN PERMISSION.	
SPIT-FIRE 8394-121 PAGE 4 OF 4 01/2008	PART LIST